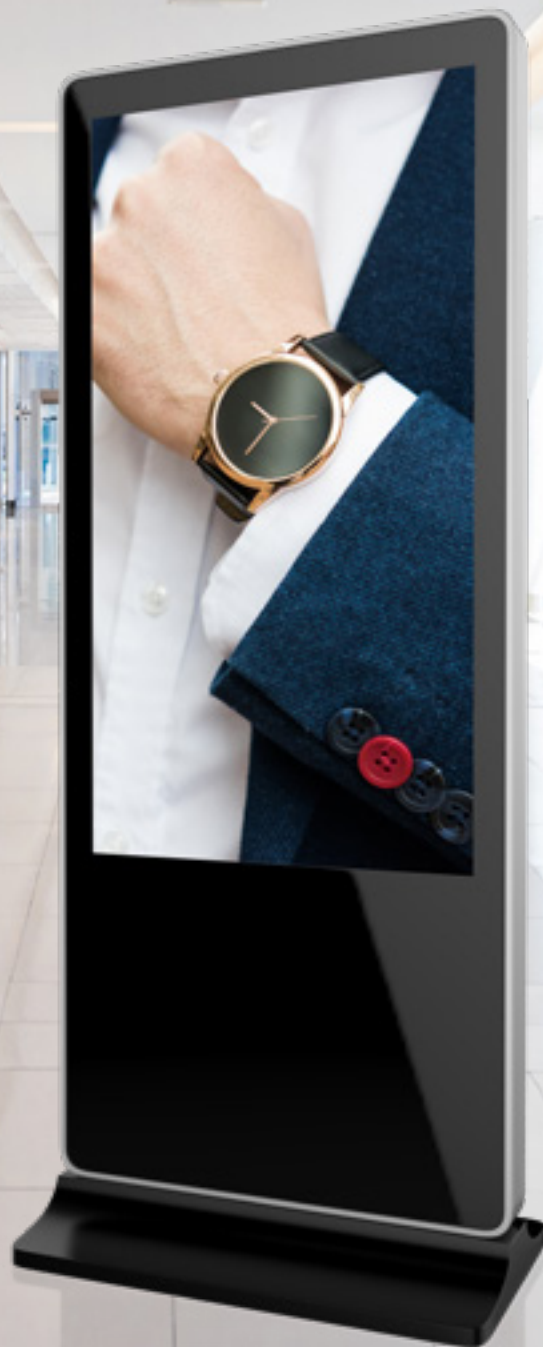


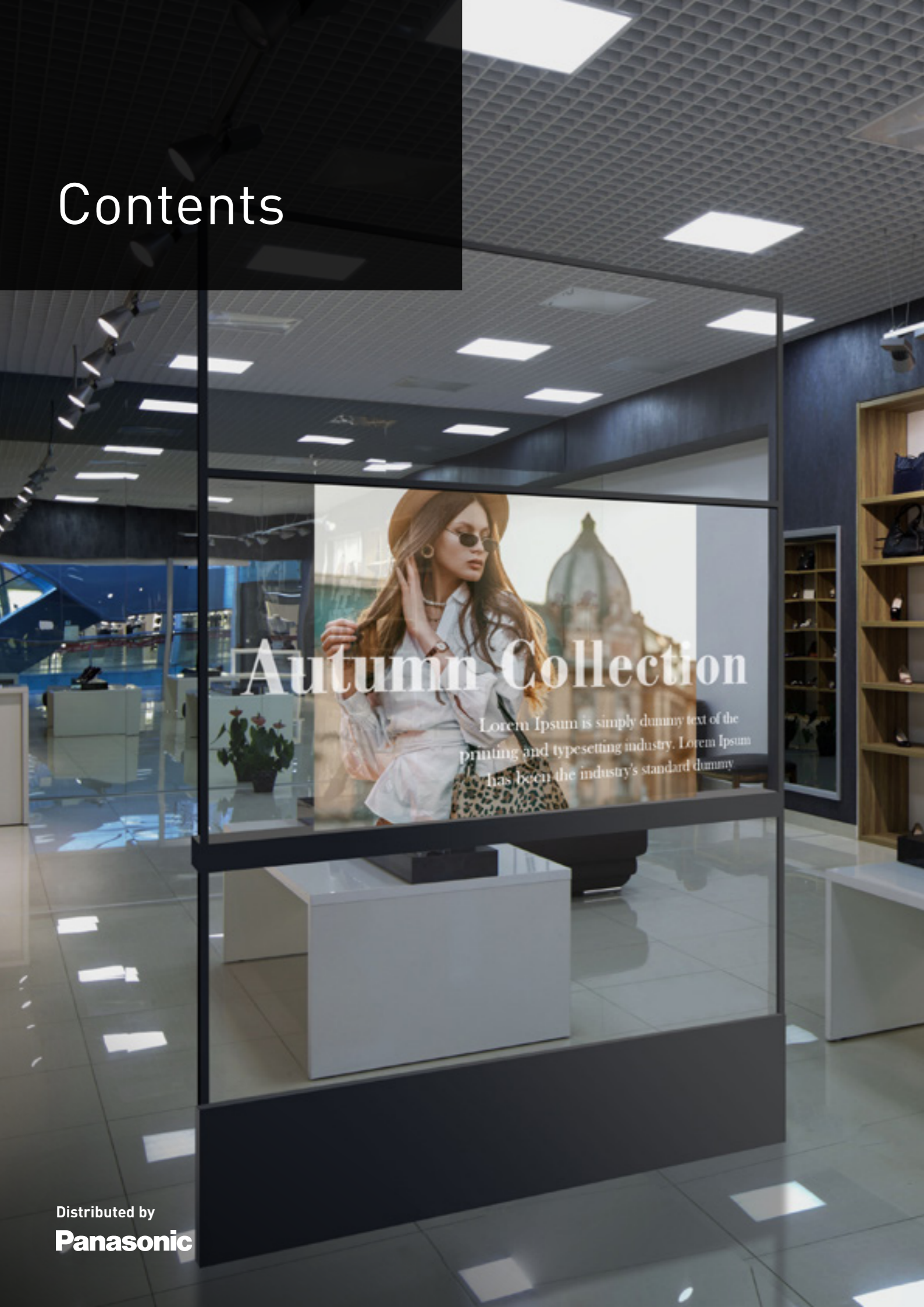
Commercial Panel Range



Distributed by

Panasonic

Contents



Product

Page

Long Life 24/7 Panel with Tough Glass	4
Floor Stand Kiosk	6
L/T-Frame Slim Kiosk	8
Outdoor Digital Signage	10
A-Frame Mobile Kiosk	12
Dual Sided Window Facing Digital Signage	14
Single Sided Window Facing Digital Signage	16
Bar Digital Signage	18
Video Wall Signage	20
Giant Digital Monitor	22
Open Frame Touch Digital Signage	24
Open Frame Digital Signage	26
Transparent OLED	28
Dimension Drawings	30



Long Life 24/7 Panel Tough Glass



Application

Running on an Android SoC, easily present advertising, interactive information and focused content utilising the 24/7 long life panels via landscape or portrait orientation.

Ideal for **shopping malls, retail, catering, art exhibitions, rail transit and other industries.**

Key Features

- 4mm toughened glass
- ADSDS technology
- UHD resolution
- 500nits
- Built-in speaker
- Android SoC
- VESA mounting

Specifications

Model	SE55H-ABA	SE65H-ABA	SE75H-ABA
Display			
Screen Size (Diagonal)	55"	65"	75"
LCD Tech.	ADSDS	ADSDS	ADSDS
Native Resolution	3840x2160	3840x2160	3840x2160
Aspect Ratio	16:9	16:9	16:9
Brightness	500 cd/m ²	500 cd/m ²	500 cd/m ²
Contrast	1200:1	1200:1	1200:1
View Angle	178°(H) / 178°(V)	178°(H) / 178°(V)	178°(H) / 178°(V)
Display Color	16.7M	16.7M	16.7M
Color Gamut	72%	72%	72%
Response Time	8ms	8ms	8ms
Life Time (Light Source)	50,000 Hrs	50,000 Hrs	50,000 Hrs
Internal Player			
O/S	Android 7.1	Android 7.1	Android 7.1
CPU	ARM Quad-Core Cortex-A17@1.8GHz	ARM Quad-Core Cortex-A17@1.8GHz	ARM Quad-Core Cortex-A17@1.8GHz
GPU	Mali T764	Mali T764	Mali T764
RAM	DDR3 2G	DDR3 2G	DDR3 2G
ROM	8G	8G	8G
Interface			
Input	-	-	-
Output	Audio x1	Audio x1	Audio x1
External Control	-	-	-
Networks	LAN x1 / WiFi	LAN x1 / WiFi	LAN x1 / WiFi
Others	SIM Card x1 / SD CardSlot x1 / USB OTG x1 / USB HOST x1	SIM Card x1 / SD CardSlot x1 / USB OTG x1 / USB HOST x1	SIM Card x1 / SD CardSlot x1 / USB OTG x1 / USB HOST x1
Built-In Speaker	7W x 2 (8Ω)	7W x 2 (8Ω)	7W x 2 (8Ω)
Power			
Power Consumption [Typ.]	AC 110-240V 50/60Hz	AC 110-240V 50/60Hz	AC 110-240V 50/60Hz
Power Consumption	≤ 170 W	≤ 270 W	≤ 350 W
Power Consumption [Standby]	≤ 0.5 W	≤ 0.5 W	≤ 0.5 W
Environment			
Operation Temperature	0°C-50°C	0°C-50°C	0°C-50°C
Operation Humidity	10%-80% RH	10%-80% RH	10%-80% RH
Physical			
Color	Black (Body) / Silver (Frame)	Black (Body) / Silver (Frame)	Black (Body) / Silver (Frame)
Tempered Glass	4mm	4mm	4mm
Body Dimension	1285(W) x 756(H) x 86(D) mm	1504(W) x 882(H) x 78.4(D) mm	1754(W) x 1032(H) x 114(D) mm
Set Weight	40Kg	55Kg	78Kg
Package Dimension	1360(W) x 855(H) x 180(D) mm	1640(W) x 940(H) x 190(D) mm	1900(W) x 1220(H) x 240(D) mm
Package Weight	44Kg	64Kg	93Kg
VESA Mounting	400 x 400	400 x 400	690 x 400

Distributed by
Panasonic

Floor Stand Kiosk



Application

Advertising display, interactive information release and other functions in **shopping malls, retail, catering, art exhibitions, rail transit and other industries.**

Key Features

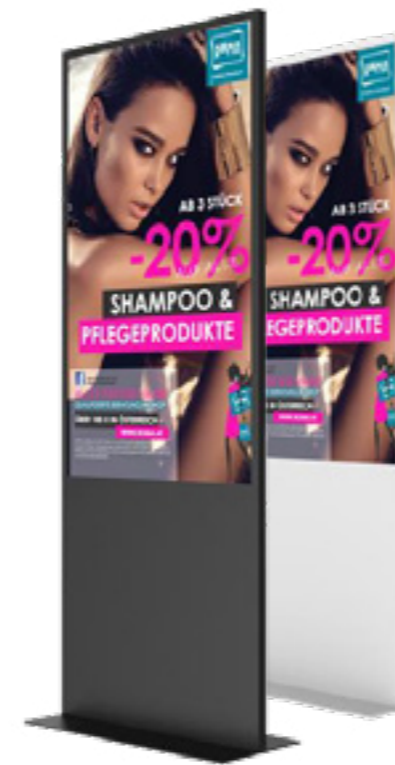
- ADSDS technology
- 400 nits options available
- Android built in + HDMI in
- Tempered glass protection
- Easy maintenance
- Touch & non-touch available
 - Touch series FI
 - Non-touch series FE

Specifications

Model	FI32D-ALA	FI43D-ALA	FI49D-ALA	FI55D-ALA	FI65D-ALA	FI75D-ALA	FI86D-ALA
Display							
Screen Size (Diagonal)	32"	43"	49"	55"	65"	75"	86"
LCD Tech.	ADS	ADS	ADS	ADS	ADS	ADS	ADS
Native Resolution	1080 x 1920	1080 x 1920	1080 x 1920	1080 x 1920	3840 x 2160	3840 x 2160	3840 x 2160
Aspect Ratio	9:16	9:16	9:16	9:16	9:16	9:16	9:16
Brightness	400 cd/m ²	400 cd/m ²	400 cd/m ²	400 cd/m ²	400 cd/m ²	400 cd/m ²	400 cd/m ²
Contrast	1200:1	1200:1	1200:1	1200:1	1200:1	1200:1	1200:1
View Angle	178°(H) / 178°(V)	178°(H) / 178°(V)	178°(H) / 178°(V)	178°(H) / 178°(V)	178°(H) / 178°(V)	178°(H) / 178°(V)	178°(H) / 178°(V)
Display Color	16.7M (8bits-true)	16.7M (8bits-true)	16.7M (8bits-true)	16.7M (8bits-true)	16.7M (8bits-true)	16.7M (8bits-true)	16.7M (8bits-true)
Response Time	8ms	8ms	8ms	8ms	8ms	8ms	8ms
Life Time (Light Source)	35,000 Hrs	35,000 Hrs	35,000 Hrs	35,000 Hrs	35,000 Hrs	35,000 Hrs	35,000 Hrs
Internal Player							
O/S	Android 7.1	Android 7.1	Android 7.1	Android 7.1	Android 7.1	Android 7.1	Android 7.1
CPU	Cortex-A17@1.8GHz	Cortex-A17@1.8GHz	Cortex-A17@1.8GHz	Cortex-A17@1.8GHz	Cortex-A17@1.8GHz	Cortex-A17@1.8GHz	Cortex-A17@1.8GHz
RAM/ROM	2GB / 8GB	2GB / 8GB	2GB / 8GB	2GB / 8GB	2GB / 8GB	2GB / 8GB	2GB / 8GB
Input	2xUSB / 1xHDMI / 1xSD / 1xRS232 / 1xEarphone	2xUSB / 1xHDMI / 1xSD / 1xRS232 / 1xEarphone	2xUSB / 1xHDMI / 1xSD / 1xRS232 / 1xEarphone	2xUSB / 1xHDMI / 1xSD / 1xRS232 / 1xEarphone	2xUSB / 1xHDMI / 1xSD / 1xRS232 / 1xEarphone	2xUSB / 1xHDMI / 1xSD / 1xRS232 / 1xEarphone	2xUSB / 1xHDMI / 1xSD / 1xRS232 / 1xEarphone
Networks	LAN / WIFI / Bluetooth / 3G (Option)	LAN / WIFI / Bluetooth / 3G (Option)	LAN / WIFI / Bluetooth / 3G (Option)	LAN / WIFI / Bluetooth / 3G (Option)	LAN / WIFI / Bluetooth / 3G (Option)	LAN / WIFI / Bluetooth / 3G (Option)	LAN / WIFI / Bluetooth / 3G (Option)
Built-In Speaker	2 x7W (8Q)	2 x7W (8Q)	2 x7W (8Q)	2 x7W (8Q)	2 x7W (8Q)	2 x7W (8Q)	2 x7W (8Q)
Touch Technology							
Touch	IR Touch	IR Touch	IR Touch	IR Touch	IR Touch	IR Touch	IR Touch
Positioning accuracy	± 2mms	± 2mms	± 2mms	± 2mms	± 2mms	± 2mms	± 2mms
IR Touch Resolution	8192 x 8192	8192 x 8192	8192 x 8192	8192 x 8192	8192 x 8192	8192 x 8192	8192 x 8192
Click manner	10 Points	10 Points	10 Points	10 Points	10 Points	10 Points	10 Points
Response Time	≤ 20ms	≤ 20ms	≤ 20ms	≤ 20ms	≤ 20ms	≤ 20ms	≤ 20ms
Power							
Power Supply	AC 90-240V 50/60Hz	AC 90-240V 50/60Hz	AC 90-240V 50/60Hz	AC 90-240V 50/60Hz	AC 90-240V 50/60Hz	AC 90-240V 50/60Hz	AC 90-240V 50/60Hz
Power Consumption	≤ 80W	≤ 105W	≤ 135W	≤ 160W	≤ 185W	≤ 236W	≤ 268W
Environment							
Operation Temperature	0°C-50°C	0°C-50°C	0°C-50°C	0°C-50°C	0°C-50°C	0°C-50°C	0°C-50°C
Operation Humidity	20%-80% RH	20%-80% RH	20%-80% RH	20%-80% RH	20%-80% RH	20%-80% RH	20%-80% RH
Physical							
Color	Black/Metal	Black/Metal	Black/Metal	Black/Metal	Black/Metal	Black/Metal	Black/Metal
Tempered Glass	4mm	4mm	4mm	4mm	4mm	5mm	5mm
Body Dimension w/o Stand	465.2(H) x 1450(V) x 70 mm(D)	599(H) x 1750(V) x 91 mm(D)	671.9(H) x 1800(V) x 91 mm(D)	755.9(H) x 1850(V) x 91 mm(D)	882.24(H) x 2050(V) x 91 mm(D)	1011(H) x 2306(V) x 158.8 mm(D)	1139(H) x 2306(V) x 158.8 mm(D)
Body Dimension with Stand	465.2(H) x 1500(V) x 430 mm(D)	599(H) x 1800(V) x 460 mm(D)	671.9(H) x 1850(V) x 460 mm(D)	755.9(H) x 1900(V) x 460 mm(D)	882.24(H) x 2100(V) x 560 mm(D)	1011(H) x 2429.75(V) x 560 mm(D)	1139(H) x 2429.75(V) x 1139 mm(D)
Set Weight	39kg	46kg	56kg	65kg	80kg	88kg	105kg
Package Dimension	565(H) x 1600(V) x 170 mm(D)	700(H) x 1900(V) x 185 mm(D)	772(H) x 1950(V) x 190 mm(D)	856(H) x 2000(V) x 190 mm(D)	985(H) x 2210(V) x 195 mm(D)	1280(H) x 2420(V) x 230 mm(D)	2470(H) x 1285(V) x 250 mm(D)
Package Weight	45kg	50kg	64kg	76kg	88kg	95kg	115kg

Distributed by
Panasonic

L/T-Frame Slim Kiosk



Application

Flexible slim line advertising display, suited for indoor environments available in L & T stand format. Interactive information release and other functions in **shopping malls, retail, catering, art exhibitions, rail/air transit** and **other industries.**

Key Features

- Super slim design
- Stand against wall design (L frame) or stand alone T frame design
- FHD resolution
- Android SoC
- Support off-line USB playback mode
- L shape stand / T shape stand

Specifications

Model	DL43A-A, DT43A-A	DL49A-A, DT49A-A	DL495A-AH, DT495A-AH	DL55A-AL, DT55A-AL
Display				
Screen Size (Diagonal)	43"	49"	49.5"	55"
Native Resolution	1080 × 1920	1080 × 1920	540 × 1920	1080 × 1920
Stand Type	L Stand or T Stand	L Stand or T Stand	L Stand or T Stand	L Stand or T Stand
Brightness	350 cd/m ²	350 cd/m ²	700 cd/m ²	350 cd/m ²
Contrast	1000:1	1000:1	900:1	1000:1
View Angle	178°(H) / 178°(V)	178°(H) / 178°(V)	178°(H) / 178°(V)	178°(H) / 178°(V)
Display Color	16.7M	16.7M	16.7M	16.7M
Response Time	8ms	8ms	8ms	8ms
Life Time (Light Source)	30,000 Hrs	30,000 Hrs	30,000 Hrs	30,000 Hrs
Internal Player				
CPU	RK3288	RK3288	A83	RK3288
DDR/FLASH	2G/8G	2G/8G	2G/8G	2G/8G
OS	Android 7.1	Android 7.1	Android 6.0	Android 7.1
A/V Input	USB2.0 × 2	USB2.0 × 2	USB2.0 × 2	USB2.0 × 2
A/V Output	-	-	-	-
Built-In Speaker	-	-	3W × 2	-
Networks	LAN × 1 / Wi-Fi	LAN × 1 / Wi-Fi	LAN × 1 / Wi-Fi	LAN × 1 / Wi-Fi
Others	-	-	-	-
Multimedia function				
Picture Format	JPEG, BMP	JPEG, BMP	JPEG, BMP	JPEG, BMP
Music Format	MP3	MP3	MP3	MP3
Video Format	AVI / MP4 / MPEG / WMV	AVI / MP4 / MPEG / WMV	AVI / MP4 / MPEG / WMV	AVI / MP4 / MPEG / WMV
Sampling Rate	32KHz, 44.1KHz, 48KHz, 96KHz	32KHz, 44.1KHz, 48KHz, 96KHz	32KHz, 44.1KHz, 48KHz, 96KHz	32KHz, 44.1KHz, 48KHz, 96KHz
Bit Rate	32kbps-320kbps	32kbps-320kbps	32kbps-320kbps	32kbps-320kbps
Power				
Power Supply	AC 90-240V	AC 90-240V	AC 100-240V @ 50/60Hz	AC 90-240V
Power Consumption	≤ 50 W	≤ 180 W	≤ 120 W	≤ 180 W
Environment				
Operation Temperature	0°C-40°C	0°C-40°C	0°C-40°C	0°C-40°C
Operation Humidity	0%-85%	0%-85%	0%-85%	0%-85%
Storage Temperature	-20°C-85°C	-20°C-85°C	-20°C-85°C	-20°C-85°C
Storage Humidity	0%-95%	0%-95%	0%-95%	0%-95%
Physical				
Color	White / Black	White / Black	White / Black	White / Black
Body Dimension	1815 × 580 × 33.5 mm (w/o Stand)	1871 × 652 × 38.5 mm (w/o Stand)	1330 (H) × 393 (W) × 375 (D) mm	1937 × 726 × 38.5 mm (w/o Stand)
Set Weight	42 Kg	52 Kg	24 Kg	60 Kg
Package Dimension	1950 × 730 × 190 mm	2067 × 856 × 180 mm	1445 (L) × 475(H) × 165 (W) mm	2067 × 856 × 180 mm
Package Weight	50 Kg	60 Kg	27 Kg	70 Kg

Distributed by
Panasonic

Outdoor Digital Signage



Application

Outdoor super bright advertising display with IP65 rating to provide interactive information release and other functions outside **shopping malls, retail, catering, art exhibitions, rail & air transit and other industries.**

Key Features

- 6mm armored glass
- FHD/UHD resolution
- High visibility with ultra high brightness
- Android SoC/ monitor as option
- Fan cooling
- Remote monitoring
- IP65 water and dust resistance
- Outdoor usage
- Touch option available

Specifications

Model	OF43A-FA	OF49A-FA	OF55A-FA	OF65A-FA	OF75A-FA
Display					
Screen Size (Diagonal)	43"	49"	55"	65"	75"
Native Resolution	1080 × 1920	1080 × 1920	1080 × 1920	2160 × 3840	2160 × 3840
Aspect Ratio	9:16	9:16	9:16	9:16	9:16
Brightness	2000 cd/m ²	2000 cd/m ²	2500 cd/m ²	2500 cd/m ²	2500 cd/m ²
Contrast	1200:1	1200:1	1200:1	1200:1	1200:1
View Angle	178°(H) / 178°(V)	178°(H) / 178°(V)	178°(H) / 178°(V)	178°(H) / 178°(V)	178°(H) / 178°(V)
Color Gamut	72%	72%	72%	72%	72%
Life Time (Light Source)	50,000 Hrs	50,000 Hrs	50,000 Hrs	50,000 Hrs	50,000 Hrs
Internal Player					
O/S	Android 7.1	Android 7.1	Android 7.1	Android 7.1	Android 7.1
CPU	ARM Quad-Core RK3288	ARM Quad-Core RK3288	ARM Quad-Core RK3288	ARM Quad-Core RK3288	ARM Quad-Core RK3288
RAM/ROM	DDR3 2G / 8G	DDR3 2G / 8G	DDR3 2G / 8G	DDR3 2G / 8G	DDR3 2G / 8G
Input	HDMI × 1 / USB × 2	HDMI × 1 / USB × 2	HDMI × 1 / USB × 2	HDMI × 1 / USB × 2	HDMI × 1 / USB × 2
Output	-	-	-	-	-
External Control	-	-	-	-	-
Networks	LAN × 1 / WiFi	LAN × 1 / WiFi	LAN × 1 / WiFi	LAN × 1 / WiFi	LAN × 1 / WiFi
Built-In Speaker	5W × 2 (8Ω)	5W × 2 (8Ω)	5W × 2 (8Ω)	5W × 2 (8Ω)	5W × 2 (8Ω)
Power					
Power Supply	AC 100-240V 50/60Hz	AC 100-240V 50/60Hz	AC 100-240V 50/60Hz	AC 100-240V 50/60Hz	AC 100-240V 50/60Hz
Power Consumption	≤ 250W	≤ 300W	≤ 380W	≤ 600W	≤ 750W
Rated Current	≤ 1.5A	≤ 1.8A	≤ 2.4A	≤ 3.4A	≤ 4.0A
Grounding Resistance	≤ 0.1Ω	≤ 0.1Ω	≤ 0.1Ω	≤ 0.1Ω	≤ 0.1Ω
Environment					
Cooling System	Fan (Heater for under -10°C)	Fan (Heater for under -10°C)	Fan (Heater for under -10°C)	Fan (Heater for under -10°C)	Fan (Heater for under -10°C)
Operation Temperature	-25°C~45°C	-25°C~45°C	-25°C~45°C	-25°C~45°C	-25°C~45°C
Storage Temperature(°C)	-20°C~60°C	-20°C~60°C	-20°C~60°C	-20°C~60°C	-20°C~60°C
Water and Dust Proof	IP65	IP65	IP65	IP65	IP65
Safety Protection	Leakage Protection, Overload Protection, Overvoltage Protection, Lightning Protection, Over temperature Protection	Leakage Protection, Overload Protection, Overvoltage Protection, Lightning Protection, Over temperature Protection	Leakage Protection, Overload Protection, Overvoltage Protection, Lightning Protection, Over temperature Protection	Leakage Protection, Overload Protection, Overvoltage Protection, Lightning Protection, Over temperature Protection	Leakage Protection, Overload Protection, Overvoltage Protection, Lightning Protection, Over temperature Protection
Operation Humidity	10%~95% RH	10%~95% RH	10%~95% RH	10%~95% RH	10%~95% RH
Physical					
Screen Protection	6mm Armored glass (Single Side AR Film)	6mm Armored glass (Single Side AR Film)	6mm Armored glass (Single Side AR Film)	6mm Armored glass (Single Side AR Film)	6mm Armored glass (Single Side AR Film)
Body Dimension (w/o Stand)	2050 (H) × 710 (W) × 180 (D) mm	2150 (H) × 800 (W) × 190 (D) mm	2250 (H) × 880 (W) × 190 (D) mm	2350 (W) × 1020 (H) × 210 (D) mm	2450 (H) × 1150 (W) × 220 (D) mm
Body Dimension (with Stand)	2050 (H) × 710 (W) × 350 (D) mm	2150 (H) × 800 (W) × 380 (D) mm	2250 (H) × 880 (W) × 380 (D) mm	2350 (W) × 1020 (H) × 380 (D) mm	2450 (H) × 1150 (W) × 420 (D) mm
Set Weight (with Stand)	120 Kg	140 Kg	160 Kg	180 Kg	250 Kg
Package Dimension	2200 (W) × 900 (H) × 420 (D) mm	2270 (W) × 990 (H) × 420 (D) mm	2550 (W) × 1170 (H) × 350 (D) mm	1430 (W) × 2526 (H) × 400 (D) mm	TBC
Package Weight	≤ 140 Kg	≤ 170 Kg	≤ 190 Kg	≤ 250 Kg	≤ 300 Kg
Door	Front open	Front open	Front open	Front open	Front open

A-Frame Mobile Kiosk



Distributed by
Panasonic



Application

Lightweight & portable A-Frame Kiosk operable from battery pack. Indoor advertising display, interactive information release and other functions in **shopping malls, retail, catering, art exhibitions, rail/air transit, real estate sales and other industries.**

Key Features

- Easy to move
- Super slim design
- FHD resolution
- Android SoC
- External input (V310)
- Support off-line USB playback mode

Specifications

Model	DA32A-A	DA43A-A
Display		
Screen Size (Diagonal)	32"	43"
Native Resolution	1080 × 1920	1080 × 1920
Brightness	350 cd/m ²	350 cd/m ²
Contrast	1000:1	1000:1
View Angle	178°(H) / 178°(V)	178°(H) / 178°(V)
Display Color	16.7M	16.7M
Response Time	8ms	8ms
Life Time (Light Source)	30,000 Hrs	30,000 Hrs
Internal Player		
CPU	RK3288	RK3288
RAM/ROM	2G/8G	2G/8G
OS	Android 7.1	Android 7.1
A/V Input	USB2.0 × 2	USB2.0 × 2
A/V Output	-	-
Networks	LAN × 1 / Wi-Fi	LAN × 1 / Wi-Fi
Others	Aviation Plug (Battery Backpack)	Aviation Plug (Battery Backpack)
Multimedia function		
Picture Format	JPEG, BMP	JPEG, BMP
Music Format	MP3	MP3
Video Format	AVI / MP4 / MPEG / WMV	AVI / MP4 / MPEG / WMV
Sampling Rate	32KHz, 44.1KHz, 48KHz, 96KHz	32KHz, 44.1KHz, 48KHz, 96KHz
Bit Rate	32kbps-320kbps	32kbps-320kbps
Power		
Power Supply	AC 200-240V / DC 24V	AC 200-240V / DC 24V
Power Consumption	≤ 50 W	≤ 50 W
Environment		
Operation Temperature	0°C-40°C	0°C-40°C
Operation Humidity	0%-85%	0%-85%
Storage Temperature	-20°C-85°C	-20°C-85°C
Storage Humidity	0%-95%	0%-95%
Physical		
Color	White / Black	White / Black
Body Dimension	1103.5 × 437 × 30 mm (w/o Stand)	1350 × 579 × 33.5 mm (w/o Stand)
Set Weight	14 Kg	24 Kg
Package Dimension	1200 × 530 × 165 mm	1445 × 675 × 165 mm
Package Weight	17 Kg	27 Kg

Dual Sided Window Facing Digital Signage



Application

Dual facing, dual brightness or single sided, single brightness window facing digital signage offering indoor advertising display, interactive information release and other functions in **shopping malls, retail, catering, art exhibitions, rail/air transit, banking, finance and other industries.**

Key Features

- FHD resolution
- Dual-view models with 2500nits & 700nits or 700nits both sides
- Android SoC
- Luminance compensation for long term operation
- Synchronous & asynchronous display support
- Ceiling installation – ceiling boom included
- 2 x Custom length steel cable hanging solution available. Replaces boom (specify per project)
- Portrait & landscape (specify per project)

Specifications

Model	WC49A-PH257	WC49A-PPNH0707N	WC55A-PH257	WC55A-PPNH0707N
Display				
Screen Size (Diagonal)	49"	49"	55"	55"
Native Resolution	1080 × 1920	1080 × 1920	1080 × 1920	1080 × 1920
Aspect Ratio	9:16	9:16	9:16	9:16
Brightness	2500 cd/m ² (A Side) / 700 cd/m ² (B Side)	700 cd/m ² (Front Side) / 700 cd/m ² (Rear Side)	2500 cd/m ² (A Side) / 700 cd/m ² (B Side)	700 cd/m ² (Front Side) / 700 cd/m ² (Rear Side)
Contrast	1000:1	1000:1	1000:1	1000:1
View Angle	178°(H) / 178°(V)	178°(H) / 178°(V)	178°(H) / 178°(V)	178°(H) / 178°(V)
Display Color	16.7M	16.7M	16.7M	16.7M
Color Gamut	72%	72%	72%	72%
Response Time	8ms	8ms	8ms	8ms
Life Time (Light Source)	30,000 Hrs (Min.)	30,000 Hrs (Min.)	30,000 Hrs (Min.)	30,000 Hrs (Min.)
Internal Player (Both Side)				
O/S	Android 5.1	Android 7.1 (Front & Rear)	Android 5.1	Android 7.1 (Front & Rear)
CPU	ARM Quad-Core RK3288	Quad-core Cortex-A17 up to 1.8GHz (Front & Rear)	ARM Quad-Core RK3288	Quad-core Cortex-A17 up to 1.8GHz (Front & Rear)
GPU	-	Mali-T764 GPU (Front & Rear)	-	Mali-T764 GPU (Front & Rear)
RAM/ROM	2G / 8G	2G / 8G (Front & Rear)	2G / 8G	2G / 8G (Front & Rear)
Interface (Both Side)				
A/V Input	HDMI × 1 / Audio × 1	HDMI × 1 (Front Side), HDMI × 1 (Rear Side)	HDMI × 1 / Audio × 1	HDMI × 1 (Front Side), HDMI × 1 (Rear Side)
External Control	-	-	-	-
TF Card Slot	-	-	-	-
USB	2 (HOST × 1, OTG × 1)	2 (HOST × 1, OTG × 1)	2 (HOST × 1, OTG × 1)	2 (HOST × 1, OTG × 1)
Networks	LAN × 1 / WiFi	LAN × 1 / WiFi	LAN × 1 / WiFi	LAN × 1 / WiFi
Power				
Power Supply	AC 100-240V 50/60Hz	AC 110-220V 50/60Hz	AC 100-240V 50/60Hz	AC 110-220V 50/60Hz
Power Consumption	≤ 150 W	≤ 210 W	≤ 250 W	≤ 220 W
Environment				
Operation Temperature	0°C-40°C	0°C-40°C	0°C-40°C	0°C-40°C
Operation Humidity	20%-80% RH	20%-80% RH	20%-80% RH	20%-80% RH
Physical				
Color	Black / Gray	Silver / Gray	Black / Gray	Silver / Gray
Bezel	17 mm (Left/Right) / 16 mm (Top/Bottom)	17 mm (Left/Right) / 16 mm (Top/Bottom)	17 mm (Left/Right) / 16 mm (Top/Bottom)	17 mm (Left/Right) / 16 mm (Top/Bottom)
Body Dimension	1106 (W) × 639 (H) × 30 (D) mm	1106 (W) × 639 (H) × 30 (D) mm	1241 (W) × 715 (H) × 30 (D) mm	1242 (W) × 715 (H) × 30 (D) mm
Set Weight	21 Kg	21 Kg	24 Kg	24 Kg
Ceiling Bracket Dimension	800 (L) × 250 (W) × 30 (D) mm	800 (L) × 250 (W) × 30 (D) mm	800 (L) × 250 (W) × 30 (D) mm	800 (L) × 250 (W) × 30 (D) mm
Ceiling Bracket Weight	1.5 Kg	1.5 Kg	1.5 Kg	1.5 Kg
AD Box Dimension	700 (W) × 360 (H) × 57 (D) mm	700 (W) × 360 (H) × 57 (D) mm	700 (W) × 360 (H) × 57 (D) mm	700 (W) × 360 (H) × 57 (D) mm
AD Box Weight	10 Kg	10 Kg	10 Kg	10 Kg
Package Dimension	1250 (W) × 440 (H) × 835 (D) mm	1260 (W) × 395 (H) × 830 (D) mm	1390 (W) × 440 (H) × 910 (D) mm	1390 (W) × 440 (H) × 910 (D) mm
Package Weight	42 Kg	42 Kg	49 Kg	49 Kg
Installation	Ceiling	Ceiling	Ceiling	Ceiling

Distributed by
Panasonic

Single Sided Window Facing Digital Signage



Application

Our single sided, high brightness window facing digital signage offering indoor advertising display, interactive information & other functions for **shopping malls, retail, catering, art exhibitions, rail/air transit, banking, finance** and **other industries**.

Key Features

- FHD resolution
- Single-view model with 2500nits
- Android SoC or monitor only versions
- Luminance compensation for long term operation
- Ceiling installation – ceiling boom included
- 2 x Custom length steel cable hanging solution available. Replaces boom (specify per project)
- Portrait or landscape (specify per project)

Specifications

Model	IC-49B-F-H	IC-49B-F-M	IC-55B-F-H	IC-55B-F-M
Display				
Screen Size (Diagonal)	49"	49"	55"	55"
Native Resolution	1080 x 1920	1080 x 1920	1080 x 1920	1080 x 1920
Aspect Ratio	9:16	9:16	9:16	9:16
Brightness	2500 cd/m ²	2500 cd/m ²	2500 cd/m ²	2500 cd/m ²
Contrast	1300:1	1300:1	1300:1	1300:1
View Angle	178°(H) / 178°(V)	178°(H) / 178°(V)	178°(H) / 178°(V)	178°(H) / 178°(V)
Display Color	-	-	-	-
Color Gamut	-	-	-	-
Response Time	-	-	-	-
Life Time (Light Source)	50,000 Hrs (Min.)	50,000 Hrs (Min.)	50,000 Hrs (Min.)	50,000 Hrs (Min.)
Internal Player (Both Side)				
O/S	Android 7.1	-	Android 7.1	-
CPU	RK3288 Cortex-A17 quad-core	-	Quad-core Cortex-A17	-
CPU	-	-	-	-
RAM/ROM	2G / 8G	-	2G / 8G	-
Interface (Both Side)				
A/V Input	HDMI x 1	VGA x 1, HDMI x 1	HDMI x 1	VGA x 1, HDMI x 1
External Control	RS232	RS232	RS232	RS232
TF Card Slot	1	-	1	-
USB	2	1	2	1
Networks	Wifi / Ethernet RJ45	-	Wifi / Ethernet RJ45	-
Power				
Power Supply	AC 100-240V 50/60Hz	AC 100-240V 50/60Hz	AC 100-240V 50/60Hz	AC 100-240V 50/60Hz
Power Consumption	240 W	240 W	250 W	250 W
Environment				
Operation Temperature	0°C-50°C	0°C-50°C	0°C-50°C	0°C-50°C
Operation Humidity	10%-80% RH	10%-80% RH	10%-80% RH	10%-80% RH
Physical				
Color	Black	Black	Black	Black
Bezel	-	-	-	-
Body Dimension	1093.2 (W) x 623.5 (H) x 85.3 (D) mm	1093.2 (W) x 623.5 (H) x 85.3 (D) mm	1232.3 (W) x 703.8 (H) x 85.3 (D) mm	1232.3 (W) x 703.8 (H) x 85.3 (D) mm
Set Weight	24 Kg	24 Kg	31 Kg	31 Kg
Ceiling Bracket Dimension	800 (L) x 250 (W) x 30 (D) mm	800 (L) x 250 (W) x 30 (D) mm	800 (L) x 250 (W) x 30 (D) mm	800 (L) x 250 (W) x 30 (D) mm
Ceiling Bracket Weight	1.5kg	1.5kg	1.5kg	1.5kg
AD Box Dimension	700 (W) x 360 (H) x 57 (D) mm	700 (W) x 360 (H) x 57 (D) mm	700 (W) x 360 (H) x 57 (D) mm	700 (W) x 360 (H) x 57 (D) mm
AD Box Weight	10kg	10kg	10kg	10kg
Package Dimension	1250 (W) x 780 (H) x 230 (D) mm	1250 (W) x 780 (H) x 230 (D) mm	1420 (W) x 880 (H) x 260 (D) mm	1420 (W) x 880 (H) x 260 (D) mm
Package Weight	31 Kg	31 Kg	40 Kg	40 Kg
Installation	Ceiling	Ceiling	Ceiling	Ceiling

Bar Digital Signage



Distributed by
Panasonic

Application

Rich display images for marketing, pricing and more for display in **supermarkets, catering, retail** and many more.



Key Features

- ADSDS panel technology
- Built-in speaker (excl. 23.1", 47.1")
- Android SoC (23.1" - Android 7.1 OS with A40 Chipset)
- Slim design
- Full metal shell

Specifications

Model	BM19A-AS	BM23A-AS	BM24A-AS	BM28A-AS	BM29A-AS	BM37A-AS	BM47A-HS	BM48A-HS
Display								
Screen Size (Diagonal)	19"	23.1"	24"	28"	29"	36.6"	47.1"	48"
LCD Tech.	ADS	ADS	ADS	ADS	ADS	ADS	ADS	ADS
Resolution	1920 x 360	1920 x 158	1920 x 360	1920 x 360	1920 x 540	1920 x 290	3840 x 160	3840 x 720
Brightness	300 nits	400 nits	300 nits	700 nits	700 nits	700 nits	500 nits	1000 nits
Contrast Ratio	1200:1	1200:1	1200:1	1200:1	1200:1	1200:1	1000:1	1000:1
Viewing Angle (H/V)	178°/178°	170°/170°	178°/178°	178°/178°	178°/178°	178°/178°	178°/178°	178°/178°
Display Colors	16.7 M	8bit	16.7 M	16.7 M	16.7 M	16.7 M	16.7 M	1.07B
Backlight Unit	LED	LED	LED	LED	LED	LED	LED	LED
Backlight Life	30,000 Hrs (Min.)	30,000 Hrs	30,000 Hrs (Min.)	50,000 Hrs	50,000 Hrs	50,000 Hrs	50,000 Hrs (Min.)	50,000 Hrs
Internal Player								
OS	Android 8.1	Android 7.1	Android 8.1	Android 8.1	Android 8.1	Android 8.1	Android 5.1.1	Android 7.1
CPU	Rockchip PX30 Quad Core, ARM Cortex-A35	A40/1.2GHz/Quad-core	Rockchip PX30 Quad Core, ARM Cortex-A35	Rockchip PX30 Quad Core, ARM Cortex-A35	Rockchip PX30 Quad Core, ARM Cortex-A35	Rockchip PX30 Quad Core, ARM Cortex-A35	S700, Quad-core A53 SMP4, 28nm	Amlogic T960X Quad Core
RAM	DDR3 1GB	1GB	DDR3 1GB	DDR3 1GB	DDR3 1GB	DDR3 1GB	DDR3 2GB	DDR3 2GB
ROM	8GB	8GB	8GB	8GB	8GB	8GB	8GB	8GB
Network	LAN x 1 / Wi-Fi	Wi-Fi 802.11.a	LAN x 1 / Wi-Fi	LAN x 1 / Wi-Fi	LAN x 1 / Wi-Fi	LAN x 1 / Wi-Fi	LAN x 1 (mini RJ45) / Wi-Fi / BT4.2	LAN x 1 / Wi-Fi
Input	USB x 2	Micro USB x 1, TF card slot x 1, USB Type C x 1	USB x 2	USB x 2	USB x 2	USB x 2	Micro USB x 1, TF Card x 1, Mini HDMI x 1	USB x 1, HDMI x 1
Output	-	-	-	-	-	-	-	-
External Control	-	-	-	-	-	-	-	-
USB	2	2	2	2	2	2	2	1
Built-In Speaker	2 x 2W (8Ω)	2 x 2W (8Ω)	2 x 2W (8Ω)	2 x 5W (8Ω)	2 x 5W (8Ω)	2 x 5W (8Ω)	2 x 2W (8Ω)	2 x 5W (8Ω)
Power								
Power Supply	AC100-240V@50/60HZ	DC 12V, 2A (Adaptor)	AC100-240V@50/60HZ	AC100-240V@50/60HZ	AC100-240V@50/60HZ	AC100-240V@50/60HZ	DC 12V, 5A (USB Type C, Adaptor)	AC100-240V@50/60HZ
Power Consumption	≤ 26 W	12W	≤ 30 W	≤ 36 W	≤ 60 W	≤ 63 W	≤ 35W	≤ 168 W
Environment								
Operation Temperature	0°C-40°C	0°C-40°C	0°C-40°C	0°C-40°C	0°C-40°C	0°C-40°C	0°C-50°C	0°C-40°C
Storage Temperature	-20°C-60°C	-20°C-60°C	-20°C-60°C	-20°C-60°C	-20°C-60°C	-20°C-60°C	-20°C-60°C	-20°C-60°C
Operation Humidity	10%-80% RH	10%-90% RH	10%-80% RH	10%-80% RH	10%-80% RH	10%-80% RH	10%-80% RH	10%-90% RH
Physical								
Frame	SECC BLACK	SECC BLACK	SECC BLACK	SECC BLACK	SECC BLACK	SECC BLACK	SECC BLACK	SECC BLACK
Back Cover	-	SECC BLACK	-	-	-	-	-	-
Bezel	8.7 mm (T/L/R) / 13.8 mm (B)	8.7 mm (T/L/R) / 13.8 mm (B)	8.7 mm (T/L/R) / 13.8 mm (B)	17.2 mm (T/B) / 16.7 mm (L/R)	14.9 mm (T/B) / 8.6 mm (L/R)	18 mm (T/B) / 20.6 mm (L/R)	8.4 mm (T/B) / 7.0 mm (L/R)	12.5 mm (Even Bezel)
Body Dimension	494.9 (W) x 112.9 (H) x 55 (D) mm	597.2 (W) x 60.2 (H) x 16.6 (D) mm	616.1 (W) x 135.6 (H) x 55 (D) mm	735.4 (W) x 168.4 (H) x 55 (D) mm	724.2 (W) x 229.7 (H) x 55 (D) mm	963.4 (W) x 177.8 (H) x 51 (D) mm	1211.2 (W) x 67.5 (H) x 24.3 (D) mm	1221 (W) x 251.4 (H) x 53.5 (D) mm
Set Weight	2.7 Kg	0.75 Kg	3.6 Kg	5.7 Kg	6.3 Kg	7.4 Kg	2.72 Kg	10.6 Kg
Package Dimension	610 (W) x 160 (H) x 232 (D) mm	665 (W) x 505 (H) x 230 (D) mm	735 (W) x 155 (H) x 252 (D) mm	855 (W) x 155 (H) x 290 (D) mm	840 (W) x 160 (H) x 345 (D) mm	1075 (W) x 155 (H) x 302 (D) mm	1280 (W) x 400 (H) x 150 (D) mm	1335 (W) x 156 (H) x 367 (D) mm
Package Weight	3.5 Kg	0.84 Kg	4.6 Kg	6.9 Kg	7.6 Kg	9.1 Kg	16.5 Kg	13.8 Kg

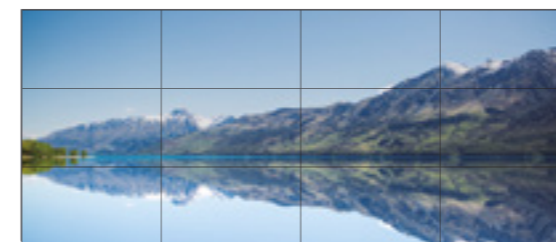
Video Wall Signage



Distributed by
Panasonic

Application

Video wall series which you can add panels to, creating a giant, immersive experience. Suitable for security monitoring, **shopping malls, airports** and much more.



Key Features

- Ultra-narrow bezel - 3.5mm all sizes / 0.88mm - 55" only
- Perfect screen splitting
- DP daisy chain
- Full HD & UHD models available

Specifications

Model	VE49L-A, VE49H-A	VP55L-A, VE55L-A, VE55H-A	VE65L-B	VE75L-B
Display				
Screen Size (Diagonal)	49"	55"	65"	75"
LCD Tech.	ADS	ADS	ADS	ADS
Native Resolution	1920 x 1080	1920 x 1080	3840 x 2160	3840 x 2160
Aspect Ratio	16:9	16:9	16:9	16:9
Brightness	500 cd/m ² [VE49L-A], 700 cd/m ² [VE49H-A]	500 cd/m ² [VP55L-A, VE55L-A], 800 cd/m ² [VE55H-A]	500 cd/m ²	500 cd/m ²
Contrast	1200:1	1200:1	1200:1	1200:1
View Angle	178°[H] / 178°[V]	178°[H] / 178°[V]	178°[H] / 178°[V]	178°[H] / 178°[V]
Display Color	16.7M	16.7M	16.7M	16.7M
Color Gamut	72%	72%	72%	72%
Response Time	8ms	8ms	8ms	12ms
Life Time (Light Source)	50,000 Hrs	50,000 Hrs	50,000 Hrs	50,000 Hrs
Interface				
VGA	1[In]	1[In]	1[In]	1[In]
Composite Video	-	-	1[In]	1[In]
DVI-D	1[In]	1[In]	1[In]	1[In]
HDMI	2[In, 4K x 1/MHL x 1, v2.0]	2[In, 4K x 1/MHL x 1, v2.0]	1[In]	1[In]
DP	2 [In&Out, v1.1]	2 [In&Out, v1.1]	1[In]	1[In]
RS232	2 [RJ45, In x 1/Out x 1]	2 [RJ45, In x 1/Out x 1]	3 [RJ45, In x 1/Out x 2]	2 [RJ45, In x 1/Out x 1]
IR	1 [Common use with RS232 in]	1 [Common use with RS232 in]	1 [Common use with RS232 in]	1 [Common use with RS232 in]
USB	-	-	-	-
Built-In Speaker	-	-	-	-
Power				
Power Supply	AC 100-240V 50/60Hz	AC 100-240V 50/60Hz	AC 100-240V 50/60Hz	AC 100-240V 50/60Hz
Power Consumption	≤ 130W [VE49L-A], ≤ 180W [VE49H-A]	≤ 210W [VP55L-A], ≤ 171W [VE55L-A], ≤ 94W [VE55H-A]	≤ 250W	≤ 230W
Environment				
Operation Temperature	0°C-50°C	0°C-50°C	0°C-50°C	0°C-50°C
Operation Humidity	20%-80% RH	20%-80% RH	20%-80% RH	20%-80% RH
Physical				
Bezel	3.5 mm	0.88mm [VP55L-A] 3.5mm [VE55L-A & VE55H-A]	3.5 mm	3.5 mm
Body Dimension	1078.34 [W] x 608.36 [H] x 92.7 [D] mm	1210.8 [W] x 681.5 [H] x 96 [D] mm	1432.6 [W] x 807.6 [H] x 108.1 [D] mm	1658.8 [W] x 940.0 [H] x 120.2 [D] mm
Set Weight	23 Kg	26.5 Kg [VP55L-A], 29 Kg [VE55L-A], 30 Kg [VE55H-A]	29 Kg	28 Kg
Package Dimension [2 sets inside]	1170 [W] x 330 [H] x 715 [D] mm	1310 [W] x 330 [H] x 800 [D] mm	1625 [W] x 415 [H] x 1005 [D] mm	1625 [W] x 415 [H] x 1005 [D] mm
Package Weight [2 sets inside]	58 Kg	65 Kg [VP55L-A], 69 Kg [VE55L-A], 73 Kg [VE55H-A]	75 Kg	75 Kg
Handle	2	2	2	2

Giant Digital Monitor



Distributed by
Panasonic

Application

Ultra HD TV, with high-end design and multiple functions, is suitable for **conference rooms, high-end residences, etc.**, greatly enhancing the interactive entertainment experience.

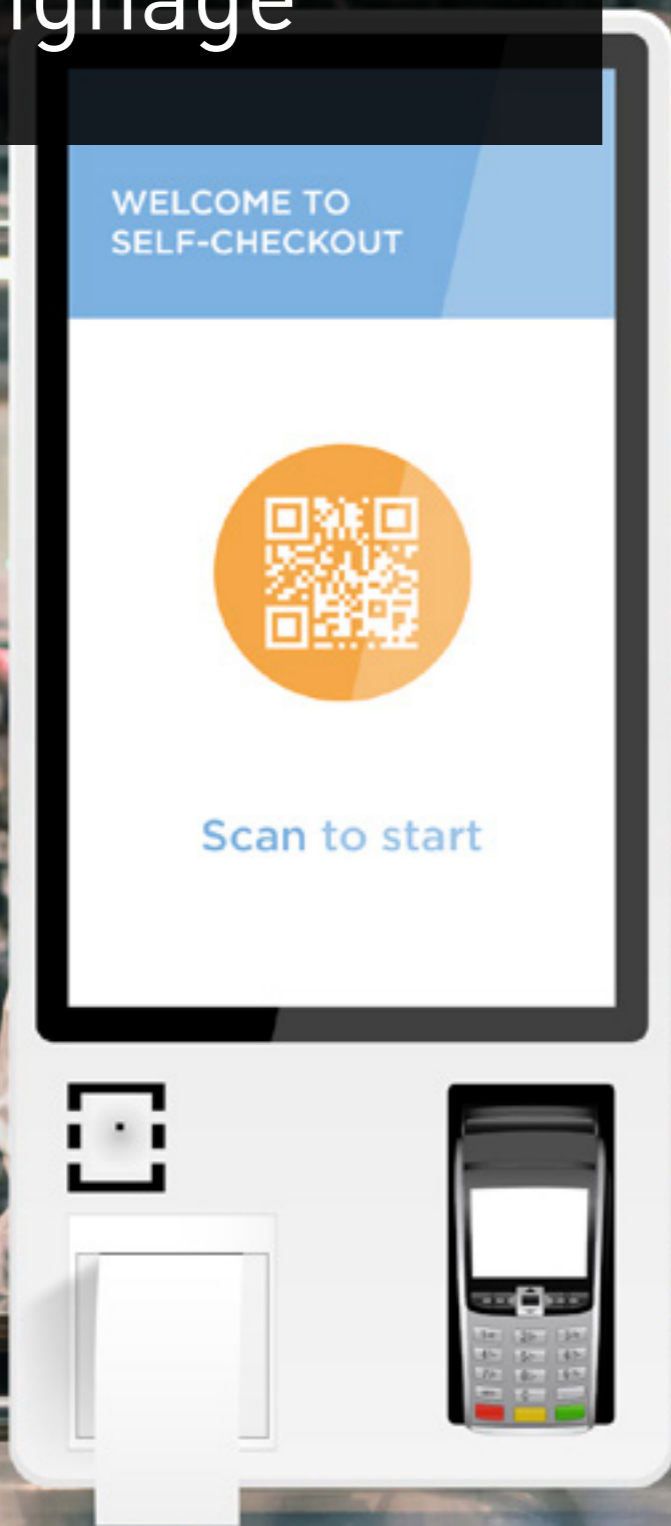
Key Features

- 4K/8K ultra-high resolution
- ADSDS technology
- Super-wide viewing angle
- Ultra-high color expressiveness
- Excellent sound effects
- Android available as option on GM98A-M & GM110A-M
- Mounting Bracket Included

Specifications

Model	GM98A-M	GM110A-M	GU110A-A
Display			
Screen Size (Diagonal)	98"	110"	110"
Native Resolution	3840 × 2160	3840 × 2160	7680 × 4320
Refresh Rate	60Hz	120Hz	120Hz
Color Depth	1.07G (8Bit+FRC)	1.07G (8Bit+Hi FRC)	1.07G (8Bit+FRC)
Aspect Ratio	16:9	16:9	16:9
Brightness	500 cd/m ²	500 cd/m ²	500 cd/m ²
Pixel Pitch	0.562x0.562mm	0.636x0.636mm	0.318x0.318mm
Contrast	1300:1	1200:1	1200:1
View Angle	178°(H) / 178°(V)	178°(H) / 178°(V)	178°(H) / 178°(V)
Life Time (Light Source)	50,000 Hrs	50,000 Hrs	50,000 Hrs
Interface			
O/S	-	-	Android 7.1
CPU	-	-	ARM CA72 × 2+CA53 × 2 @1.1GHz
RAM/ROM	-	-	2G / 8G
Interface			
A/V Input	HDMI × 4 (1.4 × 2, 2.0 × 2) / DP × 2 (1.2 × 2)	HDMI × 4 (1.4 × 2, 2.0 × 2) / DP × 2 (1.2 × 2)	HDMI × 4 (1.4 × 2, 2.0 × 2) / DP × 2 (1.2 × 2)
A/V Output	DP × 1 (1.2)	DP × 1 (1.2)	DP × 1 (1.2)
External Control	RS232 × 1(RJ45)	RS232 × 1(RJ45)	RS232 × 1(RJ45)
USB	-	-	3 (2.0 × 1, 3.0 × 2)
Networks	LAN × 2	LAN × 2	LAN × 2
Built-In Speaker	15W x 2 (6Ω)	10W x 2 (8Ω)	10W x 2 (8Ω)
Power			
Power supply	AC 100-240V 50/60Hz	AC 100-240V 50/60Hz	AC 100-240V 50/60Hz
Power Consumption (Typ.)	≤ 600 W	≤ 1000 W	≤ 1400 W
Power Consumption (Standby)	≤ 0.5 W	≤ 0.5 W	≤ 0.5 W
Environment			
Operation Temperature	0°C-40°C	0°C-40°C	0°C-40°C
Operation Humidity	10%-80% RH	10%-80% RH	10%-80% RH
Physical			
Bezel	17 mm (Even Bezel)	17 mm (Even Bezel)	17 mm (Even Bezel)
Body Dimension	2198 (W) × 1253 (H) × 79.2 (D) mm	2474 (W) × 1408 (H) × 90 (D) mm	2474 (W) × 1408 (H) × 90 (D) mm
Set Weight	110 Kg	140 Kg	140 Kg
Package Dimension	2450 (W) × 1590 (H) × 500 (D) mm	2730 (W) × 1737 (H) × 496 (D) mm	2730 (W) × 1737 (H) × 496 (D) mm
Package Weight	130 Kg	170 Kg	170 Kg
Wall hanging screws	M8	M16	M16
VESA Mounting	800 × 800	1500 × 800 mm	1500 × 800 mm
Mounted bracket included	Yes	Yes	Yes

Open Frame Touch Digital Signage



Application

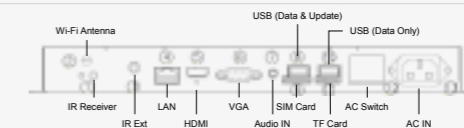
Open frame touch panels with flexible, modular designs which can be embedded into various installations such as **vending machines, retail and in-built displays.**

Key Features

- ADSDS technology
- FHD resolution
- 300-550nit options available
- 10 Points capacitive touch
- Internal speaker
- Android SoC
- Open frame design for embeded installation
- Mounting guide bracket
- 3mm tempered glass

Specifications

Model	NT22A-50A	NT24A-55A	NT27A-30A	NT32A-40A	NT43A-40A	NT49A-40A	NT55A-40A	
Display								
Screen Size (Diagonal)	22"	23.8"	27"	32"	43"	49"	55"	
LCD Tech.	ADS	ADS	ADS	ADS	ADS	ADSDS	ADSDS	
Native Resolution	1920 x 1080	1920 x 1080	1920 x 1080	1920 x 1080	1920 x 1080	1920 x 1080	1920 x 1080	
Aspect Ratio	16:9	16:9	16:9	16:9	16:9	16:9	16:9	
Brightness	500 cd/m ²	550 cd/m ²	300 cd/m ²	400 cd/m ²	400 cd/m ²	400 cd/m ²	400 cd/m ²	
Contrast	1000:1	1000:1	1000:1	1200:1	1000:1	1000:1	1200:1	
View Angle	178°(H) / 178°(V)	178°(H) / 178°(V)	178°(H) / 178°(V)	178°(H) / 178°(V)	178°(H) / 178°(V)	178°(H) / 178°(V)	178°(H) / 178°(V)	
Display Color	16.7M	16.7M	16.7M	16.7M	16.7M	16.7M	16.7M	
Color Gamut	TBD	72%	72%	72%	72%	68%	70%	
Response Time	14ms	14ms	14ms	8ms	8ms	8ms	8ms	
Life Time (Light Source)	30,000 Hrs (Min.)	30,000 Hrs (Min.)	30,000 Hrs (Min.)	30,000 Hrs (Min.)	30,000 Hrs (Min.)	30,000 Hrs (Min.)	30,000 Hrs (Min.)	
Internal Player								
O/S	Android 7.1	Android 7.1	Android 7.1	Android 7.1	Android 7.1	Android 7.1	Android 7.1	
CPU	ARM Quad-Core RK3288	ARM Quad-Core RK3288	ARM Quad-Core RK3288	ARM Quad-Core RK3288	ARM Quad-Core RK3288	ARM Quad-Core RK3288	ARM Quad-Core RK3288	
RAM/ROM	DDR3 2G / 8G	DDR3 2G / 8G	DDR3 2G / 8G	DDR3 2G / 8G	DDR3 2G / 8G	DDR3 2G / 8G	DDR3 2G / 8G	
Input	VGA x 1 / HDMI x 1 / Audio x 1 / SIM Card x 1 / TF Card x 1 / USB x 2	VGA x 1 / HDMI x 1 / Audio x 1 / SIM Card x 1 / TF Card x 1 / USB x 2	VGA x 1 / HDMI x 1 / Audio x 1 / SIM Card x 1 / TF Card x 1 / USB x 2	VGA x 1 / HDMI x 1 / Audio x 1 / SIM Card x 1 / TF Card x 1 / USB x 2	VGA x 1 / HDMI x 1 / Audio x 1 / SIM Card x 1 / TF Card x 1 / USB x 2	VGA x 1 / HDMI x 1 / Audio x 1 / SIM Card x 1 / TF Card x 1 / USB x 2	VGA x 1 / HDMI x 1 / Audio x 1 / SIM Card x 1 / TF Card x 1 / USB x 2	VGA x 1 / HDMI x 1 / Audio x 1 / SIM Card x 1 / TF Card x 1 / USB x 2
Output	-	-	-	-	-	-	-	
External Control	IR EXT x 1	IR EXT x 1	IR EXT x 1	IR EXT x 1	IR EXT x 1	IR EXT x 1	IR EXT x 1	
Networks	LAN x 1 / WiFi	LAN x 1 / WiFi	LAN x 1 / WiFi	LAN x 1 / WiFi	LAN x 1 / WiFi	LAN x 1 / WiFi	LAN x 1 / WiFi	
Built-In Speaker	2W x 2 (8Ω)	2W x 2 (8Ω)	2W x 2 (8Ω)	2W x 2 (8Ω)	5W x 2 (8Ω)	5W x 2 (8Ω)	5W x 2 (8Ω)	



Touch							
Touch Type	10 Points Capacitive Touch	10 Points Capacitive Touch	10 Points Capacitive Touch	10 Points Capacitive Touch	10 Points Capacitive Touch	10 Points Capacitive Touch	10 Points Capacitive Touch
Touch Method	Finger	Finger	Finger	Finger	Finger	Finger	Finger
Touch Accuracy	≤ 2mm	≤ 2mm	≤ 2mm	≤ 2mm	≤ 2mm	≤ 2mm	≤ 2mm
Touch Response Time	< 4ms	< 4ms	< 4ms	< 4ms	< 4ms	< 4ms	< 4ms
Light Transmission	≥ 85%	≥ 85%	≥ 85%	≥ 85%	≥ 85%	≥ 85%	≥ 85%
Power							
Power Supply	AC 100-240V 50/60Hz	AC 100-240V 50/60Hz	AC 100-240V 50/60Hz	AC 100-240V 50/60Hz	AC 100-240V 50/60Hz	AC 100-240V 50/60Hz	AC 100-240V 50/60Hz
Power Consumption	≤ 60 W	≤ 66 W	≤ 58 W	≤ 110 W	≤ 125 W	≤ 151 W	≤ 165 W
Environment							
Operation Temperature	0°C-40°C	0°C-40°C	0°C-40°C	0°C-40°C	0°C-40°C	0°C-40°C	0°C-40°C
Operation Humidity	10%-80% RH	10%-80% RH	10%-80% RH	10%-80% RH	10%-80% RH	10%-80% RH	10%-80% RH
Physical							
Color	Grey	Grey	Grey	Grey	Grey	Grey	Grey
Tempered Glass	3mm	3mm	3mm	3mm	3mm	3mm	3mm
Body Dimension	540(W) x 331(H) x 54(D) mm	607(W) x 376(H) x 61(D) mm	687.9(W) x 426.3(H) x 63(D) mm	785.6(W) x 479.4(H) x 76(D) mm	1033.2(W) x 621.4(H) x 67.7(D) mm	1171.8(W) x 702(H) x 83.4(D) mm	1311.6(W) x 782.4(H) x 74.2(D) mm
Set Weight	7.9 Kg	9.1 Kg	11.3 Kg	15.2 Kg	24.5 Kg	36.9Kg	41.5Kg
Package Dimension	610(W) x 423(H) x 152(D) mm	720(W) x 458(H) x 158(D) mm	797(W) x 527(H) x 167(D) mm	895(W) x 600(H) x 172(D) mm	1145(W) x 740(H) x 165(D) mm	1286(W) x 822(H) x 170(D) mm	1422(W) x 895(H) x 162(D) mm
Package Weight	9.7 Kg	11.6 Kg	14.4 Kg	18.8 Kg	29.3 Kg	43Kg	48.3Kg
VESA Mounting	350 x 200	400 x 200	400 x 200	350 x 250	400 x 400	400 x 400	400 x 400

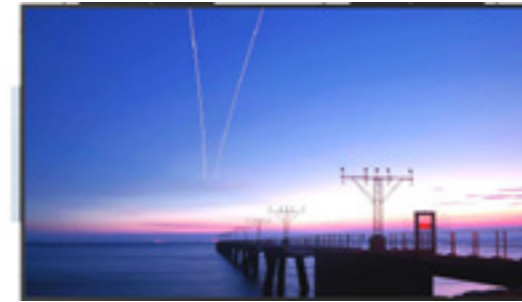
Open Frame Digital Signage



Distributed by
Panasonic

Application

Open frame panels with flexible, modular designs which can be embedded into various installations such as **vending machines, retail and in-built displays.**

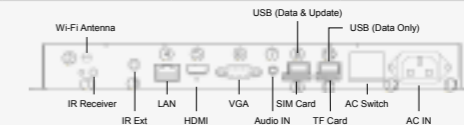


Key Features

- ADSDS technology
- FHD resolution
- Android SoC
- Open frame design for embed installation
- Mounting guide bracket

Specifications

Model	NF22A-50A	NF24A-55A	NF27A-30A	NF32A-40A	NF43A-40A	NF49A-40A	NF55A-40A	
Display								
Screen Size (Diagonal)	21.5"	23.8"	27"	32"	43"	49"	55"	
LCD Tech.	ADS	ADS	ADS	ADS	ADS	ADSDS	ADSDS	
Native Resolution	1920 x 1080	1920 x 1080	1920 x 1080	1920 x 1080	1920 x 1080	1920 x 1080	1920 x 1080	
Aspect Ratio	16:9	16:9	16:9	16:9	16:9	16:9	16:9	
Brightness	500 cd/m ²	550 cd/m ²	300 cd/m ²	400 cd/m ²	400 cd/m ²	400 cd/m ²	400 cd/m ²	
Contrast	1000:1	1000:1	1000:1	1000:1	1200:1	1000:1	1200:1	
View Angle	178°(H) / 178°(V)	178°(H) / 178°(V)	178°(H) / 178°(V)	178°(H) / 178°(V)	178°(H) / 178°(V)	178°(H) / 178°(V)	178°(H) / 178°(V)	
Display Color	16.7M	16.7M	16.7M	16.7M	16.7M	16.7M	16.7M	
Color Gamut	TBD	72%	72%	72%	72%	68%	70%	
Response Time	14ms	14ms	14ms	8ms	8ms	8ms	8ms	
Life Time (Light Source)	30,000 Hrs (Min.)	30,000 Hrs (Min.)	30,000 Hrs (Min.)	30,000 Hrs (Min.)	30,000 Hrs (Min.)	30,000 Hrs (Min.)	30,000 Hrs (Min.)	
Internal Player								
O/S	Android 7.1	Android 7.1	Android 7.1	Android 7.1	Android 7.1	Android 7.1	Android 7.1	
CPU	ARM Quad-Core RK3288	ARM Quad-Core RK3288	ARM Quad-Core RK3288	ARM Quad-Core RK3288	ARM Quad-Core RK3288	ARM Quad-Core RK3288	ARM Quad-Core RK3288	
RAM/ROM	DDR3 2G / 8G	DDR3 2G / 8G	DDR3 2G / 8G	DDR3 2G / 8G	DDR3 2G / 8G	DDR3 2G / 8G	DDR3 2G / 8G	
Input	VGA x 1 / HDMI x 1 / Audio x 1 / SIM Card x 1 / TF Card x 1 / USB x 2	VGA x 1 / HDMI x 1 / Audio x 1 / SIM Card x 1 / TF Card x 1 / USB x 2	VGA x 1 / HDMI x 1 / Audio x 1 / SIM Card x 1 / TF Card x 1 / USB x 2	VGA x 1 / HDMI x 1 / Audio x 1 / SIM Card x 1 / TF Card x 1 / USB x 2	VGA x 1 / HDMI x 1 / Audio x 1 / SIM Card x 1 / TF Card x 1 / USB x 2	VGA x 1 / HDMI x 1 / Audio x 1 / SIM Card x 1 / TF Card x 1 / USB x 2	VGA x 1 / HDMI x 1 / Audio x 1 / SIM Card x 1 / TF Card x 1 / USB x 2	VGA x 1 / HDMI x 1 / Audio x 1 / SIM Card x 1 / TF Card x 1 / USB x 2
Output	-	-	-	-	-	-	-	
External Control	IR EXT x 1	IR EXT x 1	IR EXT x 1	IR EXT x 1	IR EXT x 1	IR EXT x 1	IR EXT x 1	
Networks	LAN x 1 / WiFi	LAN x 1 / WiFi	LAN x 1 / WiFi	LAN x 1 / WiFi	LAN x 1 / WiFi	LAN x 1 / WiFi	LAN x 1 / WiFi	
Built-In Speaker	2W x 2 (8Ω)	2W x 2 (8Ω)	2W x 2 (8Ω)	5W x 2 (8Ω)	5W x 2 (8Ω)	5W x 2 (8Ω)	5W x 2 (8Ω)	



Power							
Power Supply	AC 100-240V 50/60Hz	AC 100-240V 50/60Hz	AC 100-240V 50/60Hz	AC 100-240V 50/60Hz	AC 100-240V 50/60Hz	AC 100-240V 50/60Hz	AC 100-240V 50/60Hz
Power Consumption	≤ 60 W	≤ 66 W	≤ 58 W	≤ 110 W	≤ 125 W	≤ 151 W	≤ 165 W
Environment							
Operation Temperature	0°C-40°C	0°C-40°C	0°C-40°C	0°C-40°C	0°C-40°C	0°C-40°C	0°C-40°C
Operation Humidity	10%-80% RH	10%-80% RH	10%-80% RH	10%-80% RH	10%-80% RH	10%-80% RH	10%-80% RH
Physical							
Color	Grey	Grey	Grey	Grey	Grey	Grey	Grey
Tempered Glass	N/A	N/A	N/A	N/A	N/A	N/A	N/A
Body Dimension	501.2(W) x 292.2(H) x 52.3(D) mm	543(W) x 316.8(H) x 56(D) mm	617.3(W) x 355.8(H) x 58(D) mm	716.2 (W) x 415.1 (H) x 72.7 (D) mm	961.7(W) x 550.1(H) x 62.7(D) mm	1090.4(W) x 621.3(H) x 78.4(D) mm	1230.4(W) x 706.8(H) x 68.2(D) mm
Set Weight	6.9Kg	7.7Kg	8.8Kg	10.4Kg	16.1 Kg	22.1 Kg	28.3 Kg
Package Dimension	616(W) x 412(H) x 152(D) mm	658(W) x 436(H) x 156(D) mm	732(W) x 475(H) x 158(D) mm	820 (W) x 530 (H) x 178 (D) mm	1075(W) x 668(H) x 165(D) mm	1205(W) x 740(H) x 175(D) mm	1345(W) x 827(H) x 166(D) mm
Package Weight	8.6Kg	9.5Kg	10.8Kg	12.8Kg	20.5 Kg	27.2 Kg	34.6 Kg
VESA Mounting	350 x 200	400 x 200	400 x 200	350 x 250 mm	400 x 400	400 x 400	400 x 400

Transparent OLED



Application

NEW transparent OLED Digital Display presents next generational see-through visuals enhancing the appeal and aesthetic of any space. Perfect for **exhibitions, premium storefront, and entertainment spaces.**

Key Features

- Renders crisp, vivid colours
- Originally developed dimming unit ensures sharp clear visuals even in brightly lit environments (TP-55ZT110)
- Highly versatile modular specification allows for flexible installation in various spaces

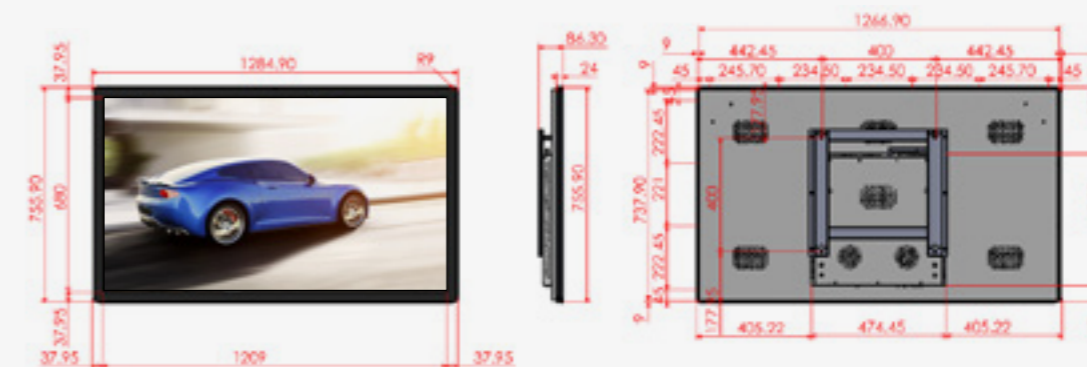
Specifications

Model	TP-55ZT110 Dimming Unit	TP-55ZT100 Non-Dimming Unit
Display		
Screen Size (Diagonal)	55"	65"
Native Resolution	1920 x 1080	1920 x 1080
Aspect Ratio	16:9	16:9
Panel Type	Transparent OLED panel	Transparent OLED panel
Dimming Unit	Yes	-
Brightness (Typ.)	400 / 150 cd / m2 (Average Picture Level 25% / 100%, without Glass)	400 / 150 cd / m2 (Average Picture Level 25% / 100%, without Glass)
Transparency (Typ.)	28%*	43%*
View Angle	178°[H] / 178°[V]	178°[H] / 178°[V]
Response Time	1ms (G to G)	1ms (G to G)
Surface Treatment	Hard Coating (2H), Anti-reflection Treatment of the Front Polarizer (Reflectance Typ. 14%)	Hard Coating (2H), Anti-reflection Treatment of the Front Polarizer (Reflectance Typ. 14%)
Operation Hours	18 Hrs / days (Moving Video Only)	18 Hrs / days (Moving Video Only)
Orientation	Landscape	Landscape
On Screen Display Menu Languages	English / German / Italian / Spanish / French / Traditional Chinese / Simplified Chinese / Japanese	English / German / Italian / Spanish / French / Traditional Chinese / Simplified Chinese / Japanese
Key Feature	Rotation / CEC function	Rotation / CEC function
Terminal		
HDMI Terminal	1 (Compatible with CEC Ver. 1.4b)	1 (Compatible with CEC Ver. 1.4b)
Audio Output	3.5-mm Stereo mini jack	3.5-mm Stereo mini jack
USB Terminal	For software updates only	For software updates only
Power		
Operating Power Supply	AC 100-240V 50/60Hz	AC 100-240V 50/60Hz
Power Consumption	292 W	292 W
Standby Power Consumption	Approx. 0.5 W	Approx. 0.5 W
Power Cable Length	Approx. 1.8m	Approx. 1.8m
Environment		
Operation Temperature	0°C-40°C	0°C-40°C
Operation Humidity	20%-80% RH (no condensation)	20%-80% RH (no condensation)
Size (Panel Unit)		
Effective Display Area	1,209.6mm (W) x 680.4mm (H)	1,209.6mm (W) x 680.4mm (H)
Panel Outer Dimensions	Approx. 1,235mm (W) x 748.9mm (H) x 7.6mm (D)	Approx. 1,225mm (W) x 744.4mm (H) x 3.8mm (D)
Weight	Approx. 14kg	Approx. 8kg
Packaging Dimensions	1,365mm (W) x 925mm (H) x 133mm (D)	1,365mm (W) x 925mm (H) x 133mm (D)
Packaging Weight	Approx. 21kg	Approx. 15kg
Size (Power Supply Unit)		
External Dimensions	210mm (W) x 60mm (H) x 305mm (D)	210mm (W) x 60mm (H) x 305mm (D)
Weight	Approx. 1.75kg	Approx. 1.75kg
Packaging Dimensions	648mm (W) x 373mm (H) x 170mm (D)	648mm (W) x 373mm (H) x 170mm (D)
Packaging Weight	Approx. 6kg	Approx. 6kg
Included Items		
Panel Unit	T-Con Board (1), T-Con Cover (1), D-Con Board <=> Signal Board Cable (1), D-Con Board(1), FFC (4), Instruction Manual (1)	T-Con Board (1), T-Con Cover (1), FFC (4), Instruction Manual (1)
Power Supply Unit	Signal Board (1), IR/LED Board (1), FFC (1), DC Cable (1), Power Cord (5), T-Con Board <=> Signal Board Connection Cable (1), IR/LED Board <=> Signal Board Cable (1), Cable Band (1), Screw (1), Instruction Manual (1), Remote Control (1)	Signal Board (1), IR/LED Board (1), FFC (1), DC Cable (1), Power Cord (5), T-Con Board <=> Signal Board Connection Cable (1), IR/LED Board <=> Signal Board Cable (1), Cable Band (1), Screw (1), Instruction Manual (1), Remote Control (1)

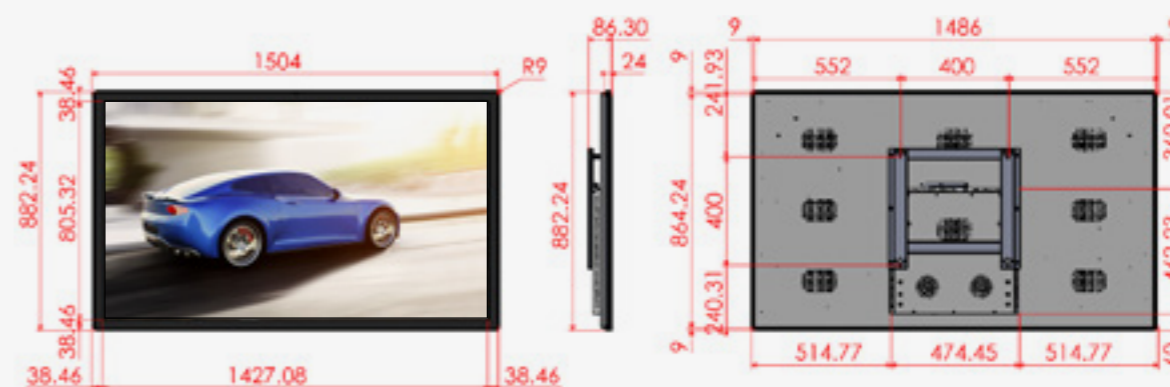
*Calculated using the ratio of brightness that penetrates the module when Panasonic standard white screen light source is used as incident light.

Long Life 24/7 Panel

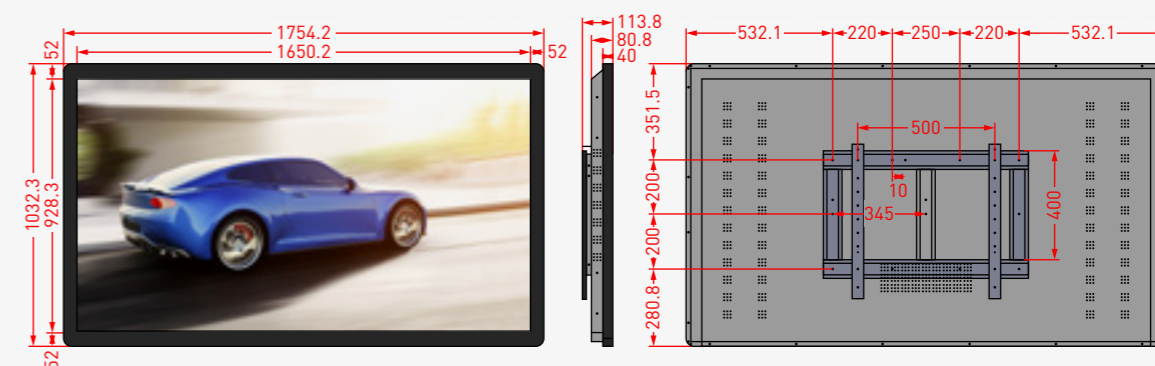
SE55H-ABA 55"



SE65H-ABA 65"



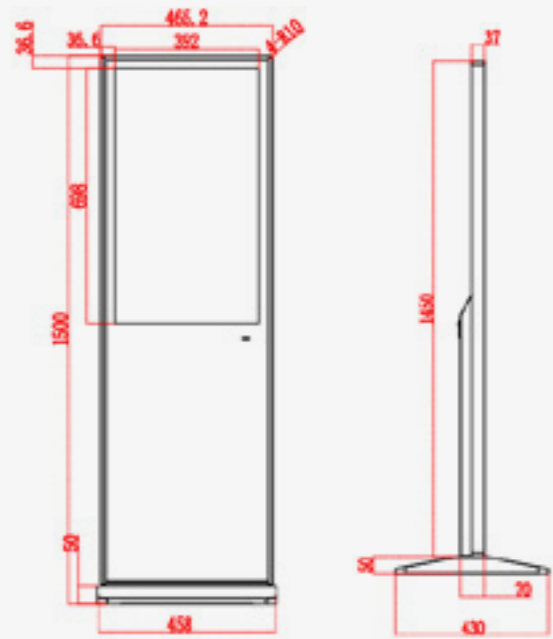
SE75H-ABA 75"



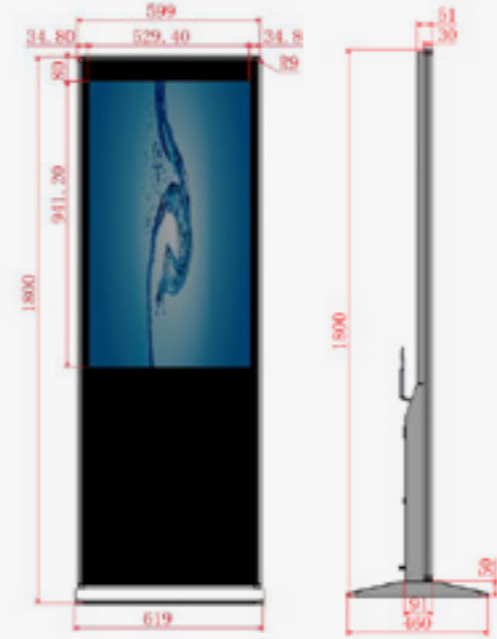
Dimension
Drawings

Floor Stand Kiosk *Measurements the same for FI & FE (Touch/Non Touch) Series

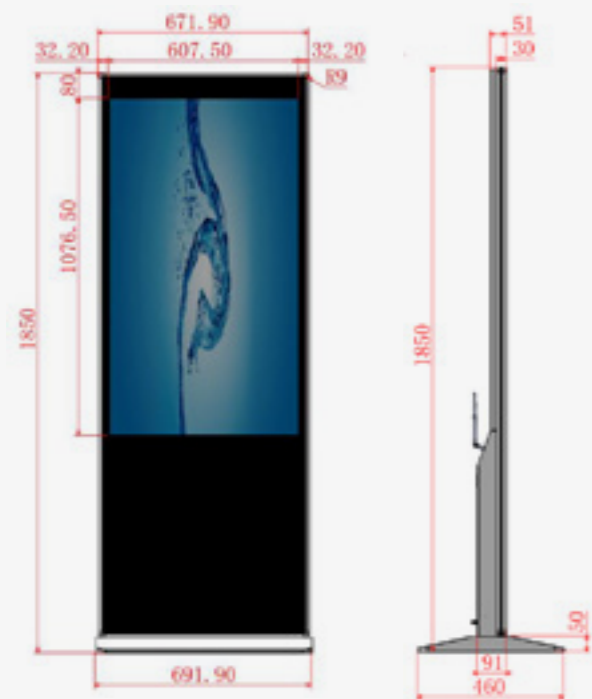
FI32D-ALA 32"



FI43D-ALA 43"



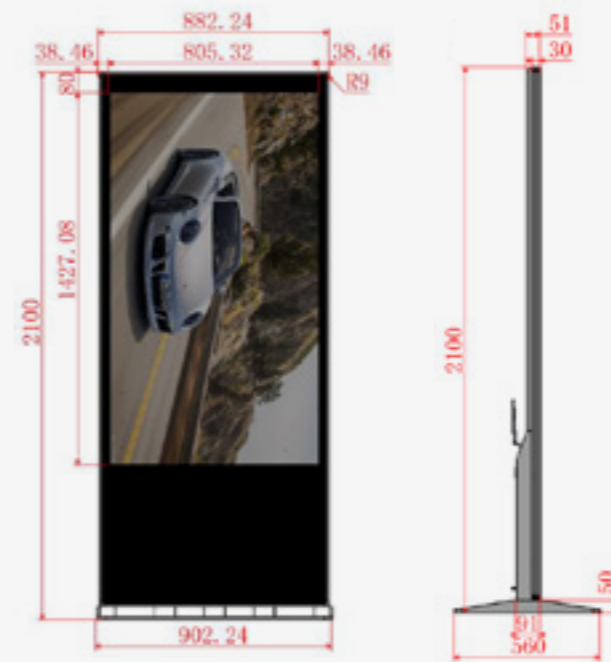
FI49D-ALA 49"



FI55D-ALA 55"



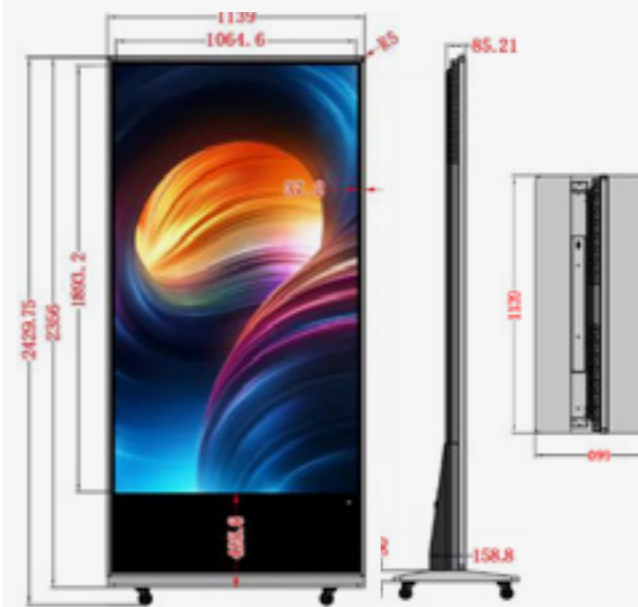
FI65D-ALA 65"



FI75D-ALA 75"

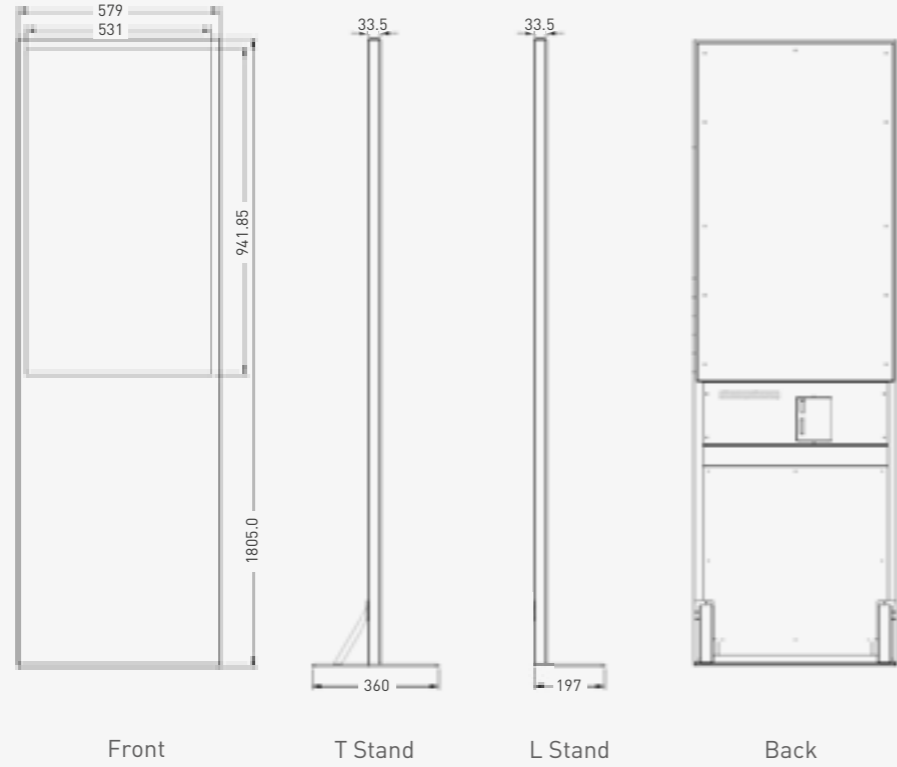


FI86D-ALA 86"

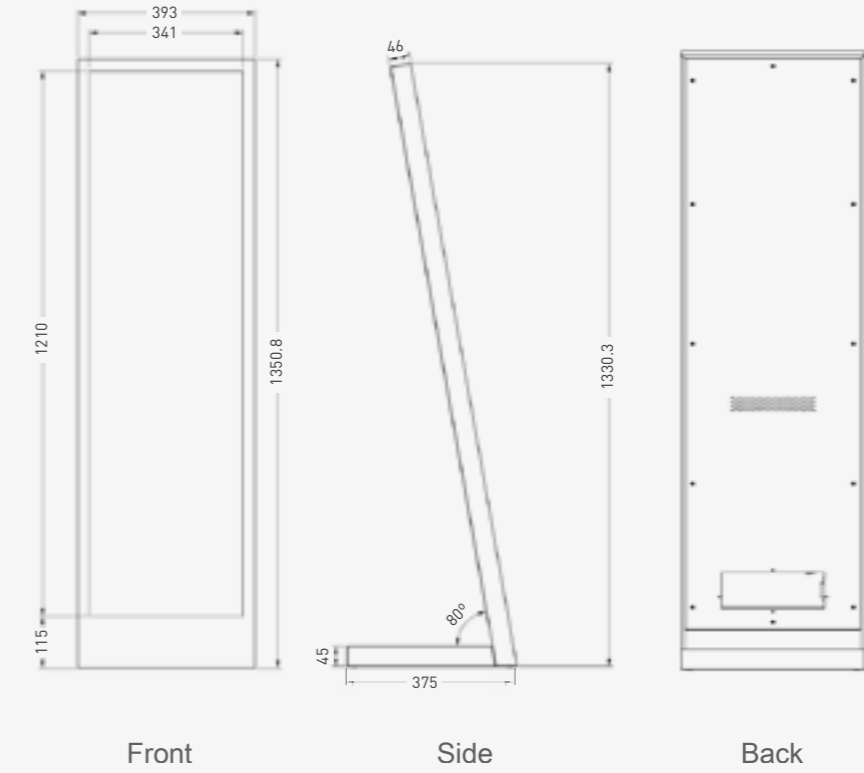


L/T-Frame Slim Kiosk

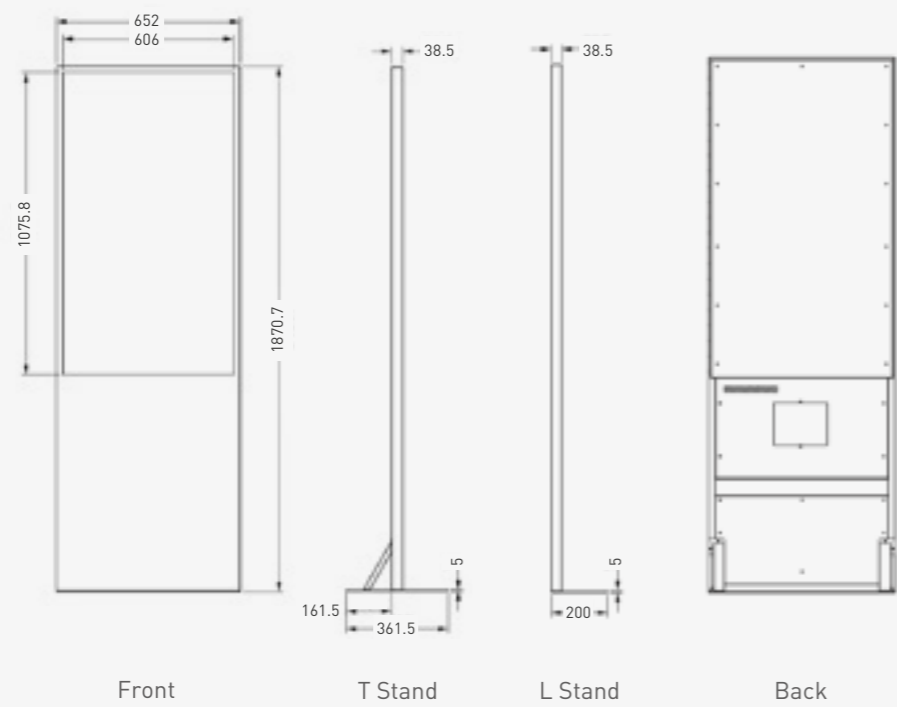
DL43A-A, DT43A-A **43"**



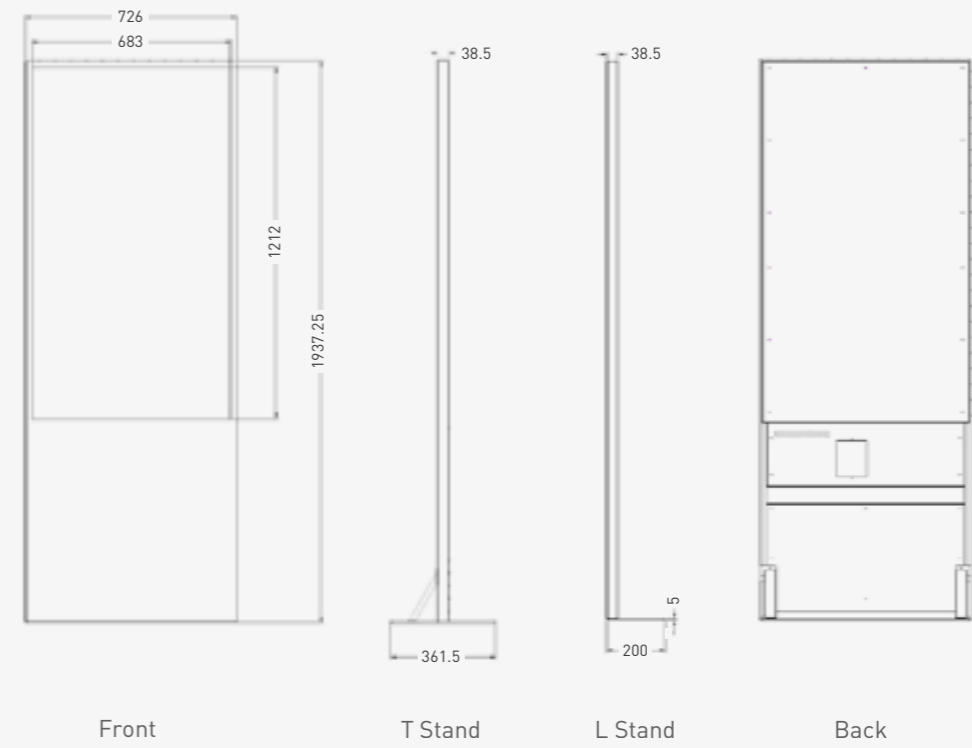
DL495A-AH, DT495A-AH **49.5"**



DL49A-A, DT49A-A **49"**

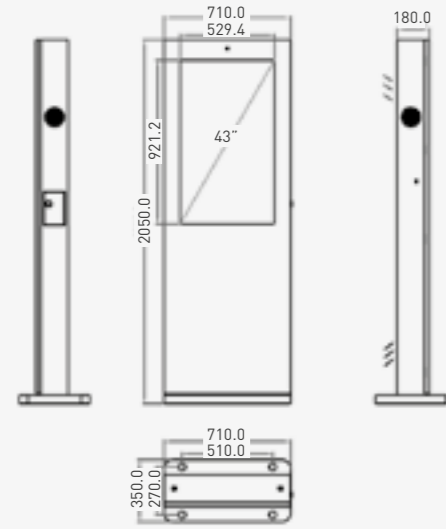


DL55A-AL, DT55A-AL **55"**

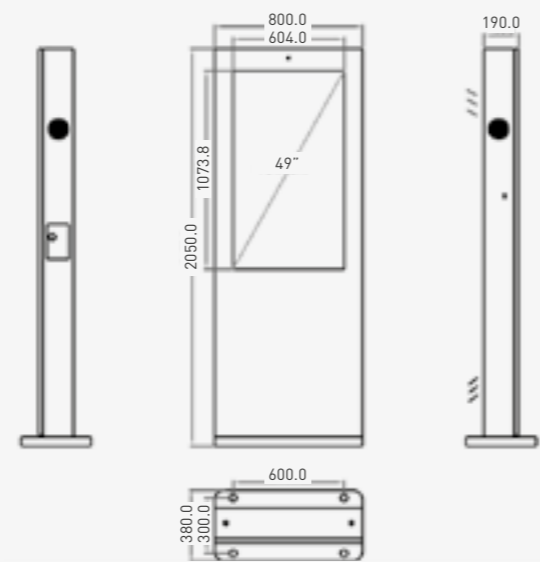


Outdoor Digital Signage

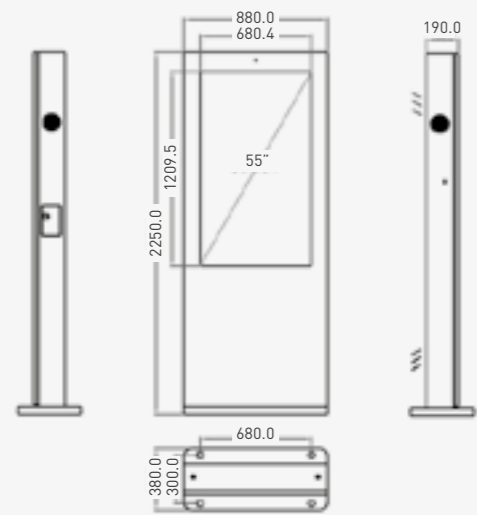
OF43A-FA 43"



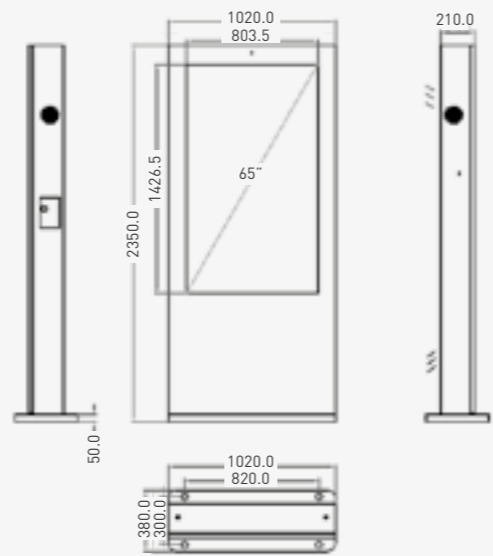
OF49A-FA 49"



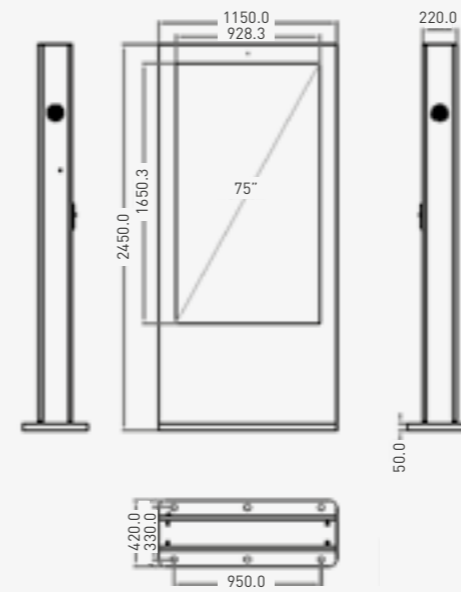
OF55A-FA 55"



OF65A-FA 65"

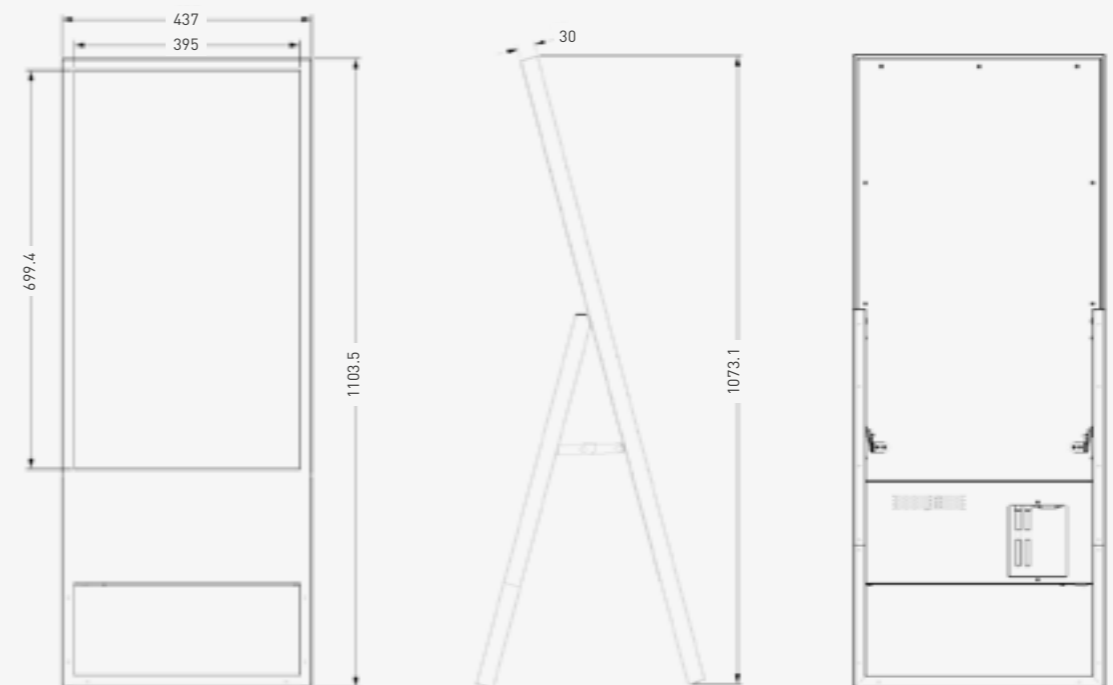


OF75A-FA 75"

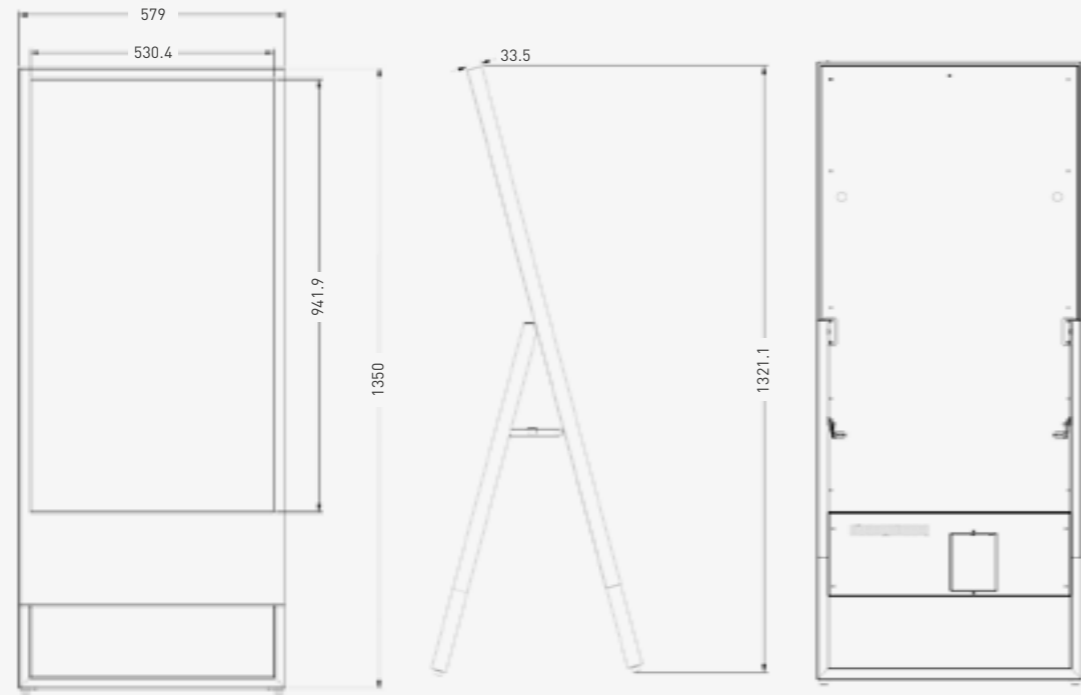


A-Frame Mobile Kiosk

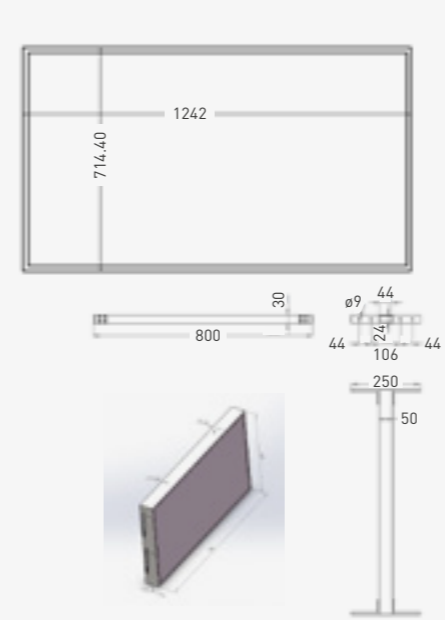
DA32A-A 32"



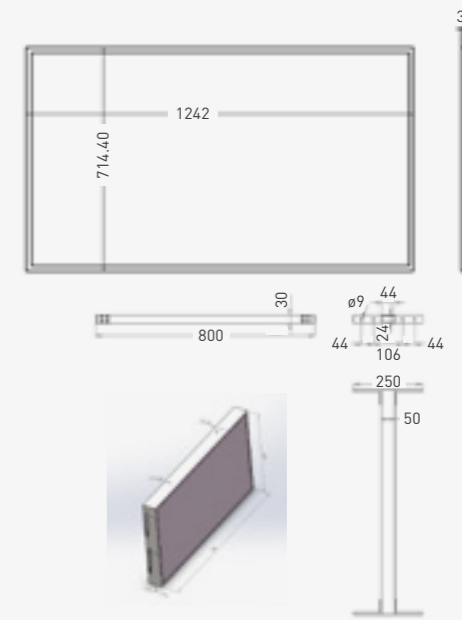
DA43A-A 43"



WC55A-PH257 55"



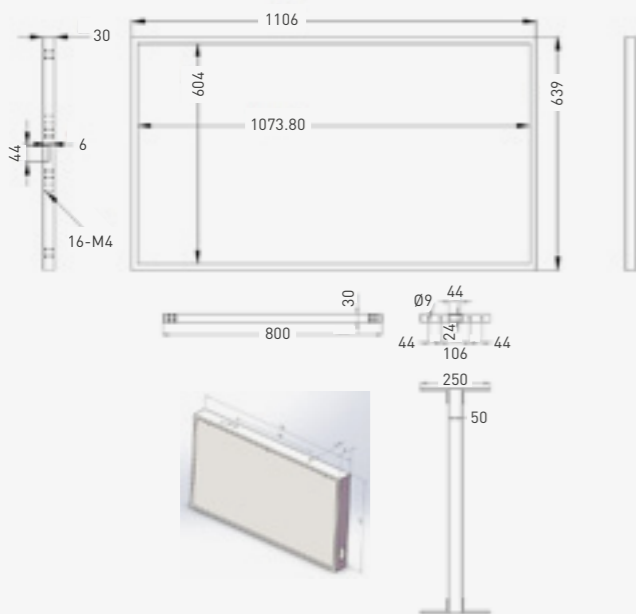
WC55A-PPNH0707N 55"



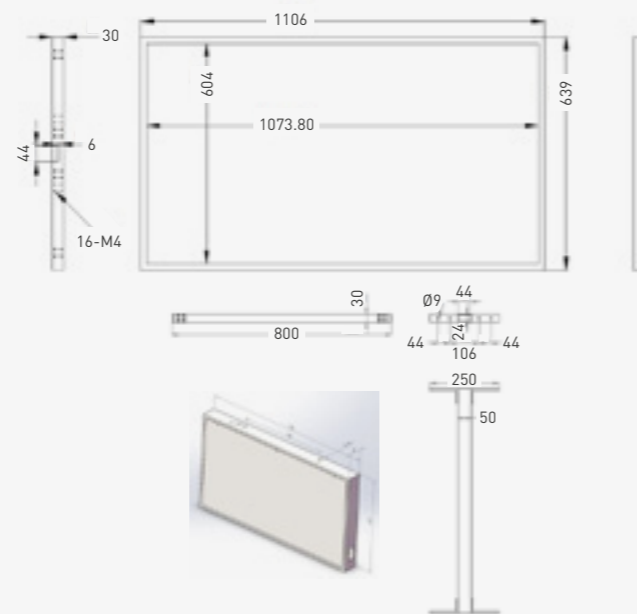
Dual Sided Window Facing Digital Signage

Single Sided Window Facing Digital Signage

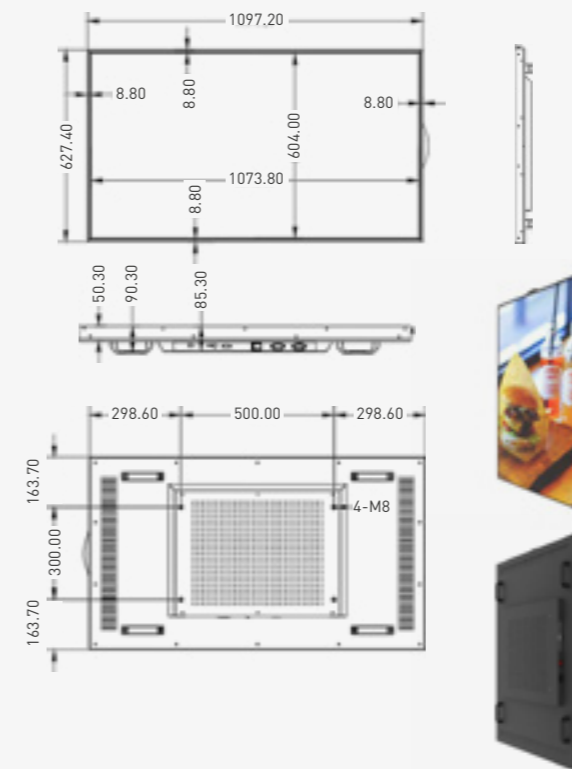
WC49A-PH257 49"



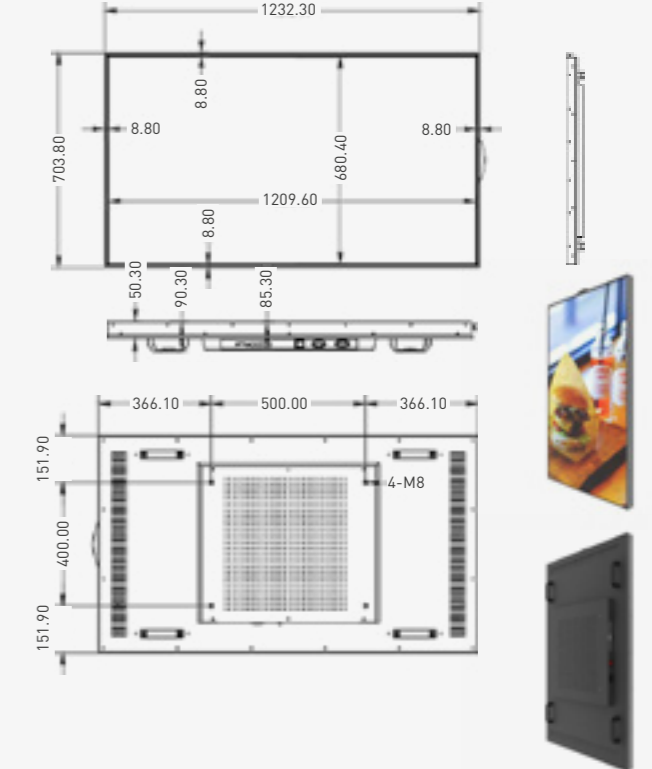
WC49A-PNH0707N 49"



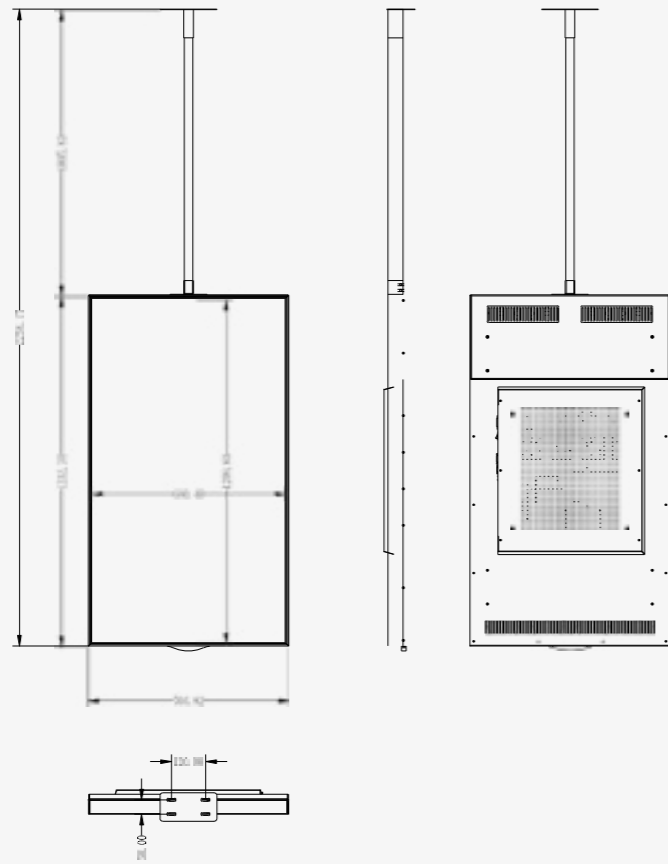
IC-49B-F-H 49"
IC-49B-F-M 49"



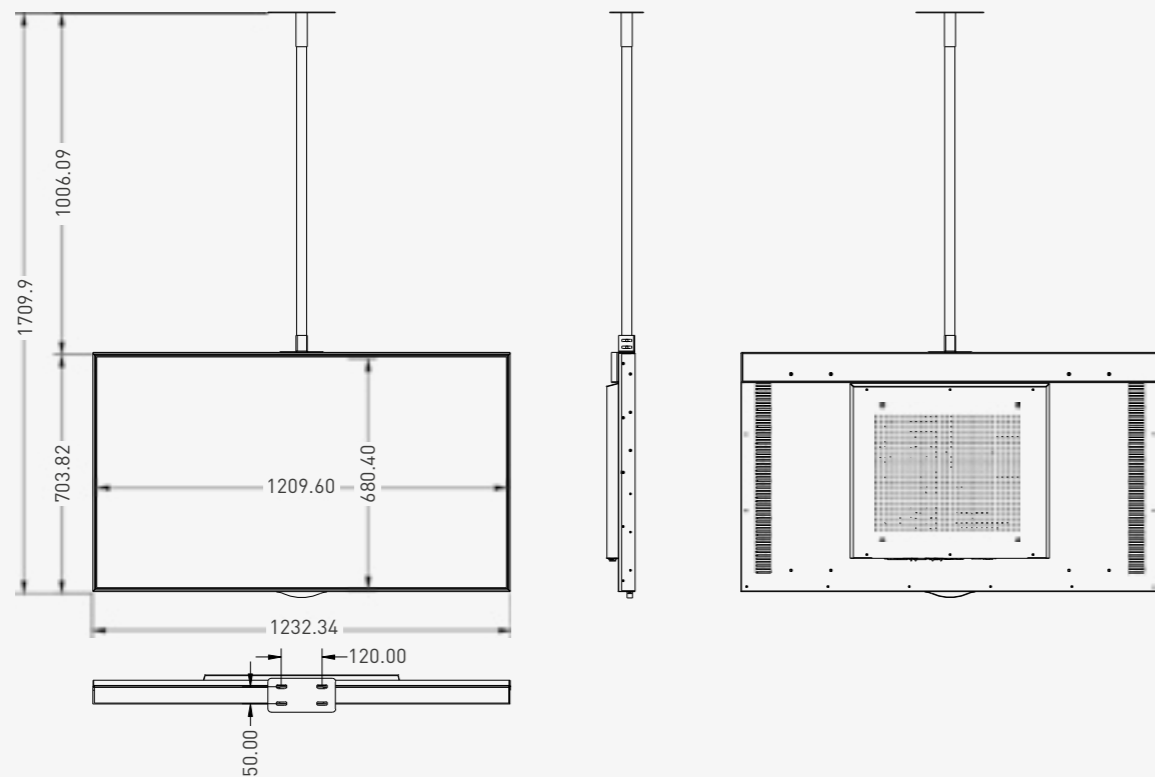
IC-55B-F-H 55"
IC-55B-F-M 55"



WC55A-PH257 55"

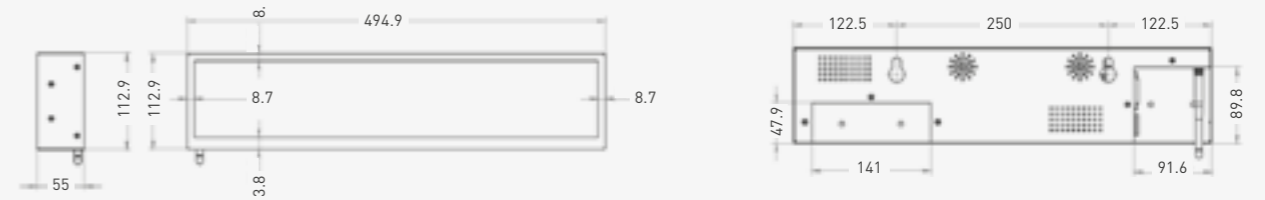


WC55A-PPNH0707N 55"

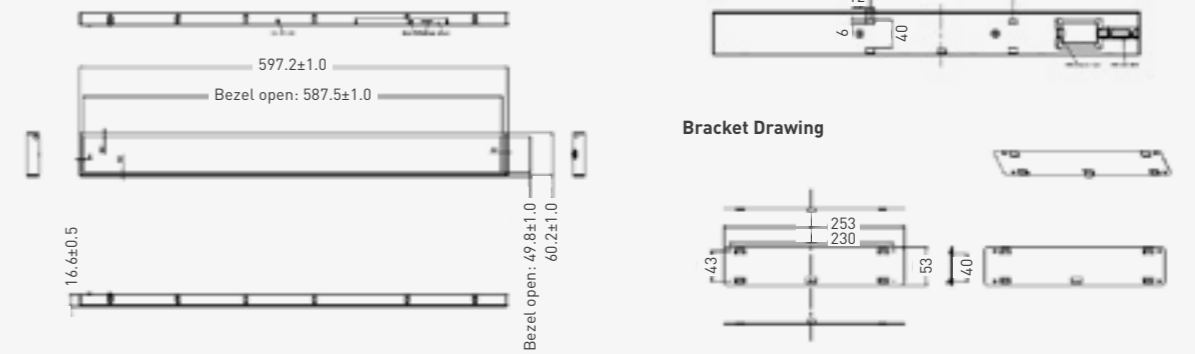


Bar Digital Signage

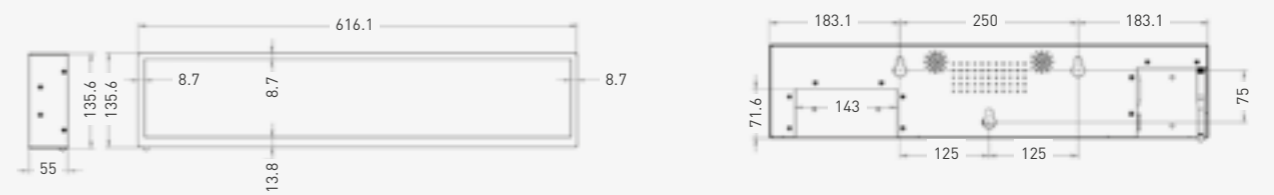
BM19A-AS 19"



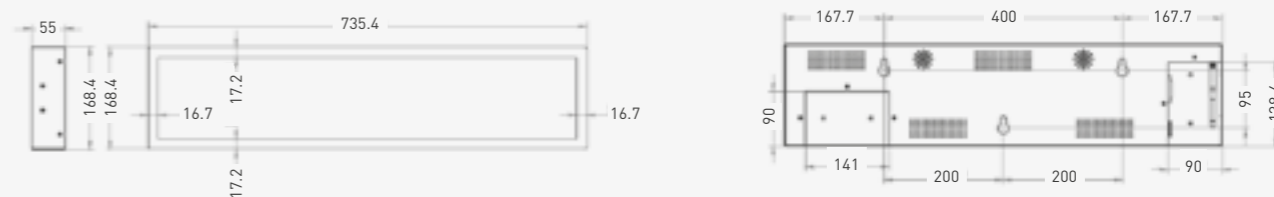
BM23A-AS 23.1"



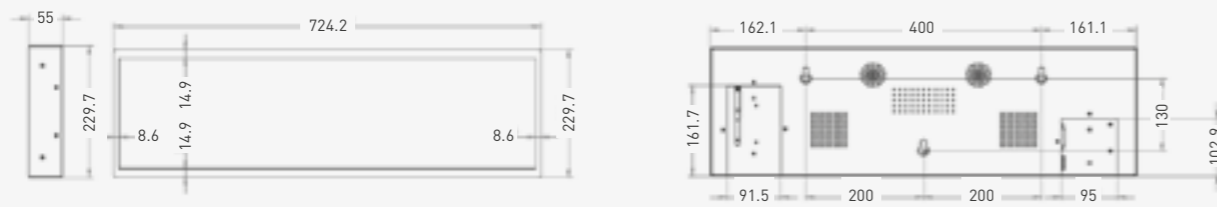
BM24A-AS 24"



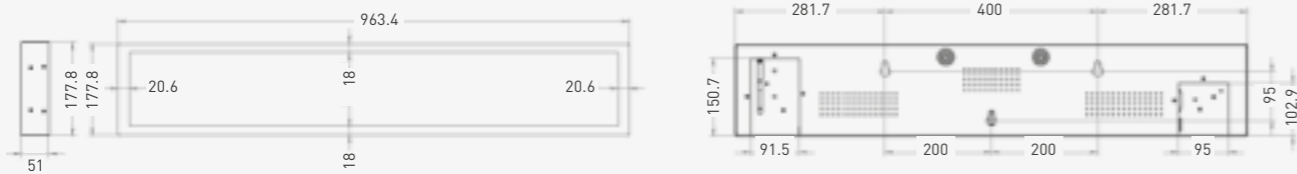
BM28A-AS 28"



BM29A-AS 29"



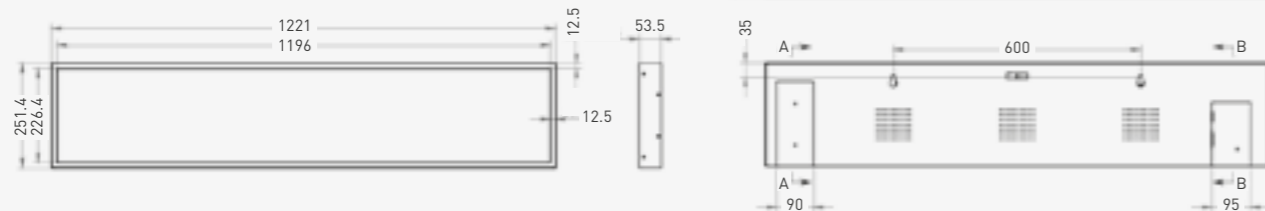
BM37A-AS 36.6"



BM47A-HS 47.1"

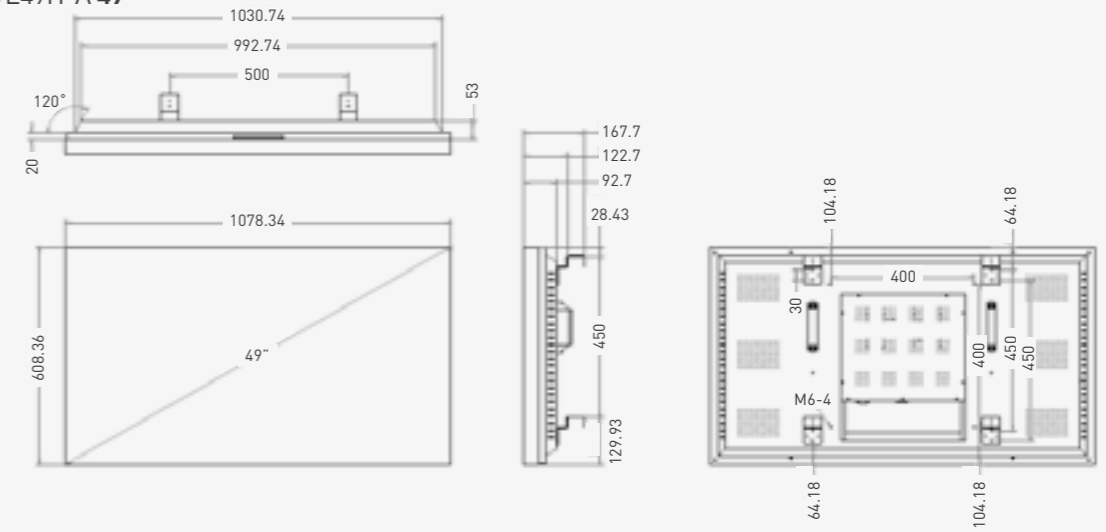


BM48A-HS 48"

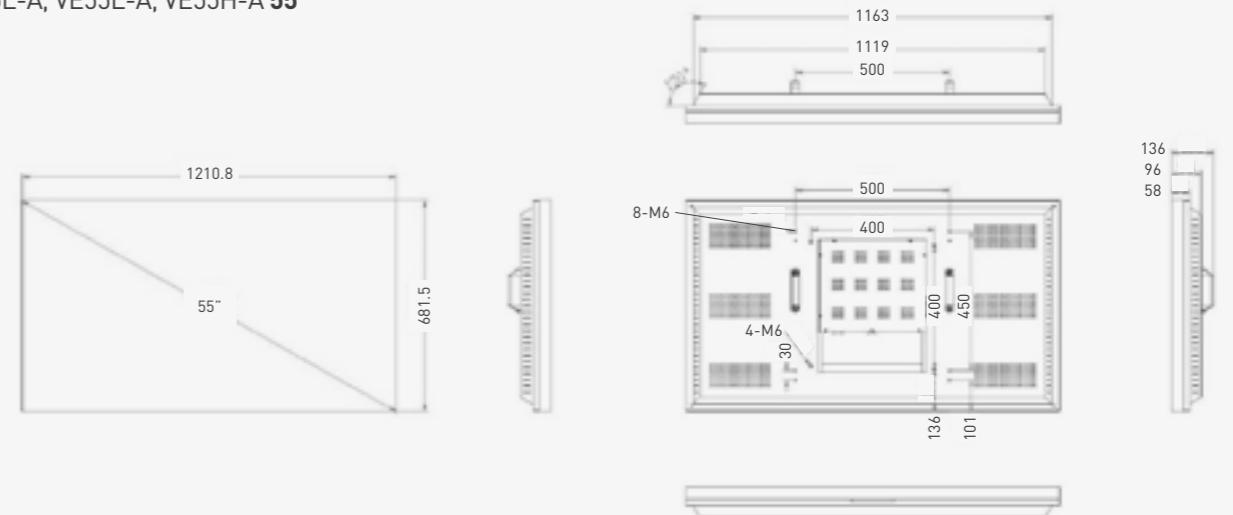


Video Wall Signage

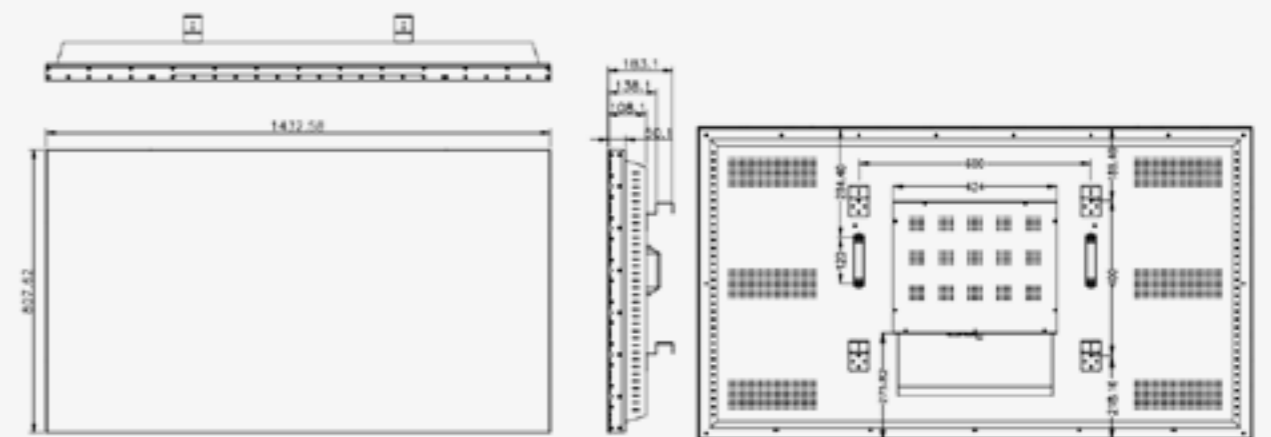
VE49L-A, VE49H-A 49"



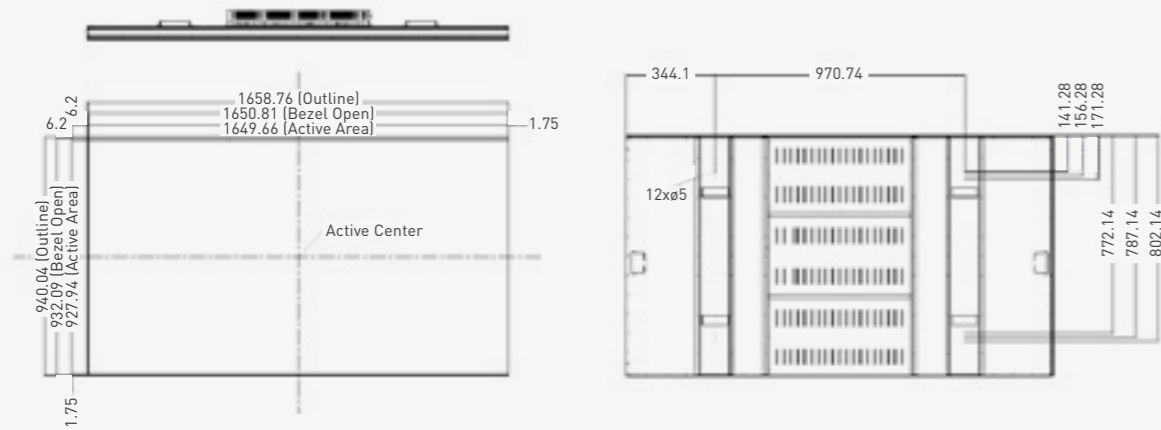
VP55L-A, VE55L-A, VE55H-A 55"



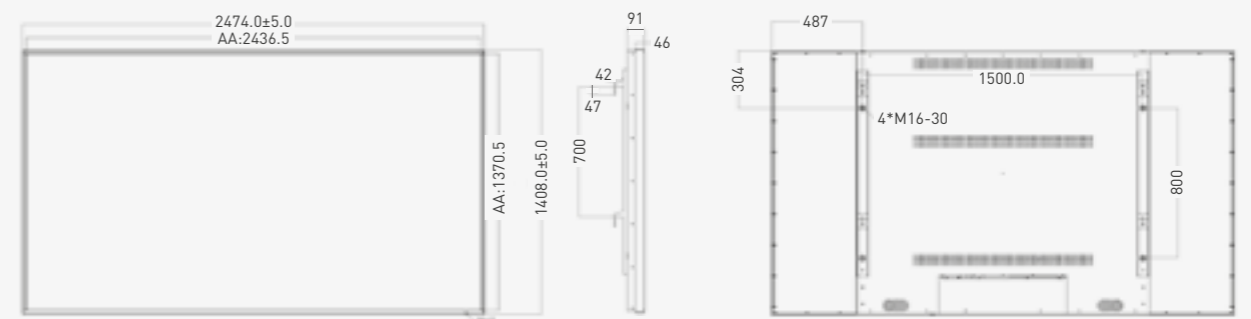
VE65L-B 65"



VE75L-B 75"



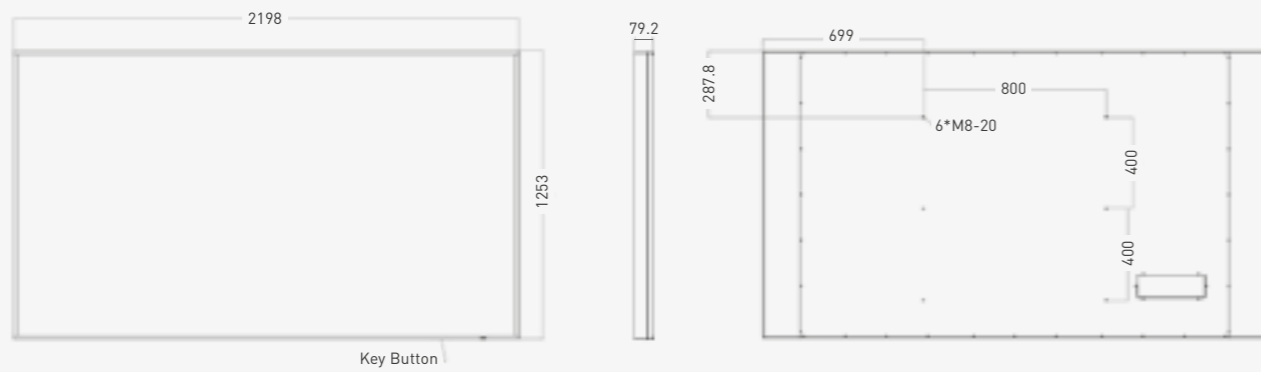
GU110A-A 110"



*Stand is not provided as default

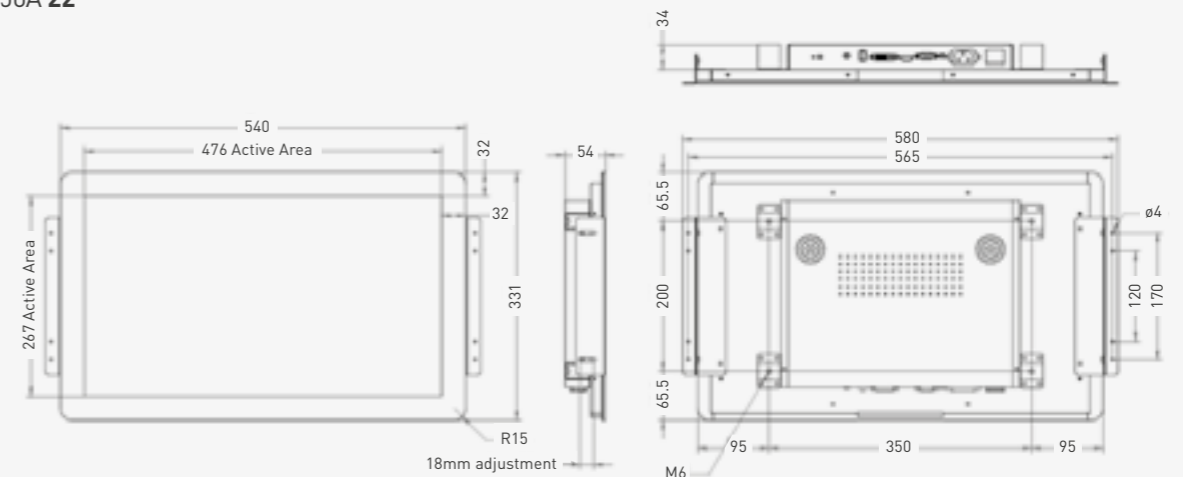
Giant Digital Monitor

GM98A-M 98"

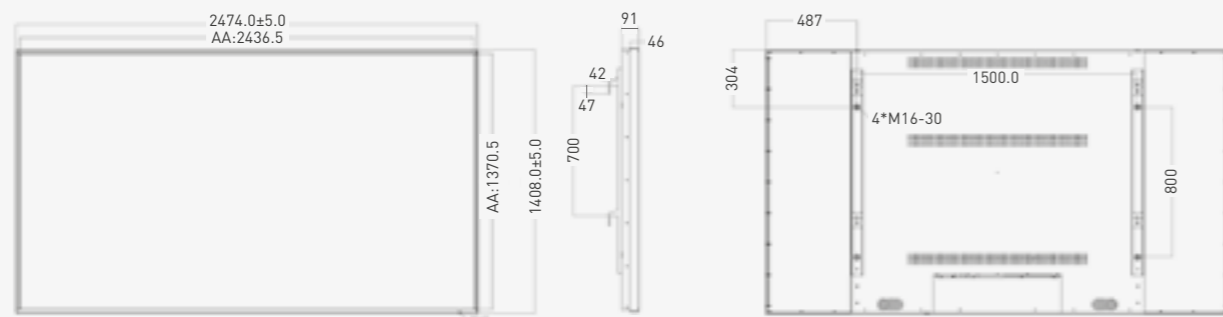


Open Frame Touch Digital Signage

NT22A-50A 22"

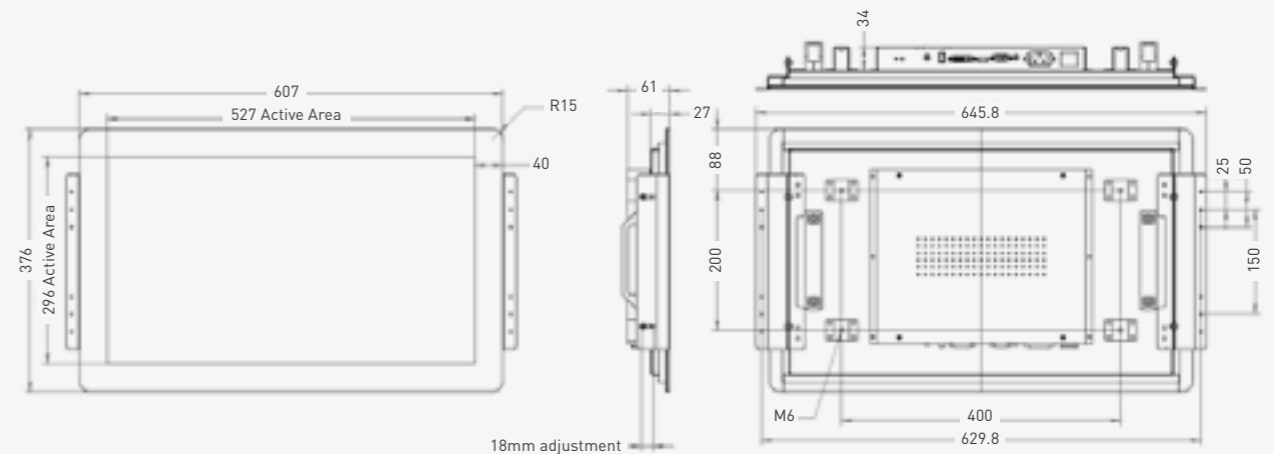


GM110A-M 110"

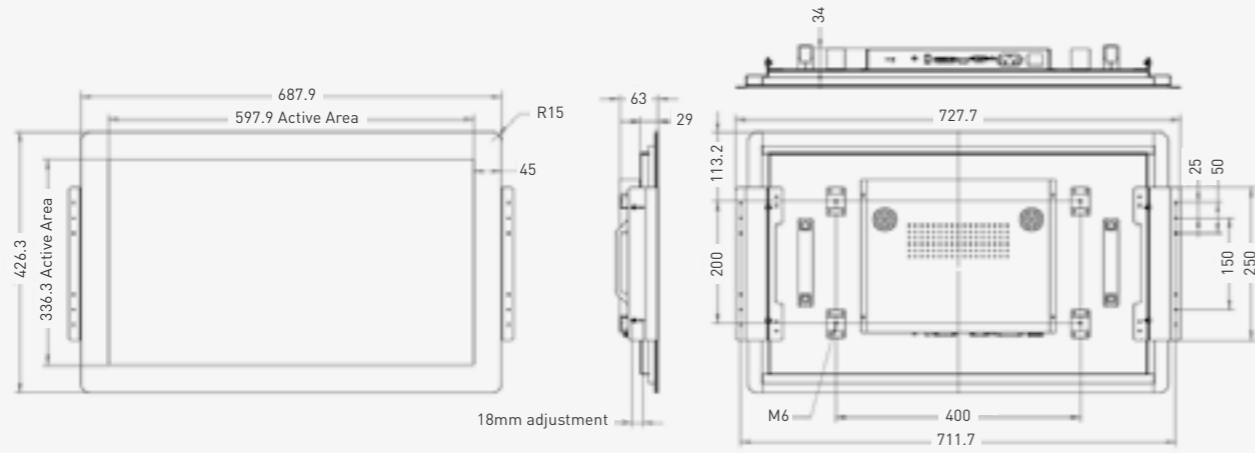


*Stand is not provided as default

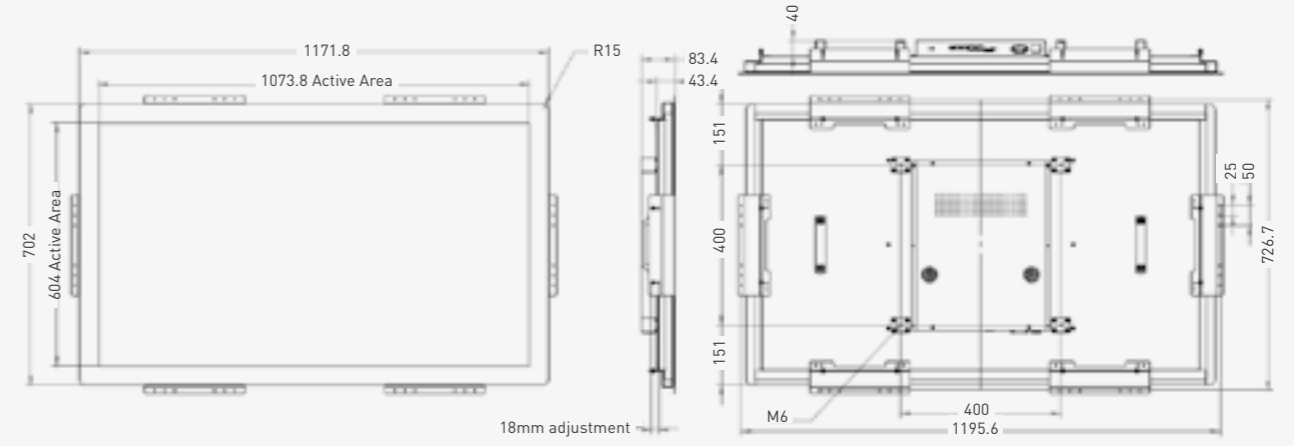
NT24A-55A 23.8"



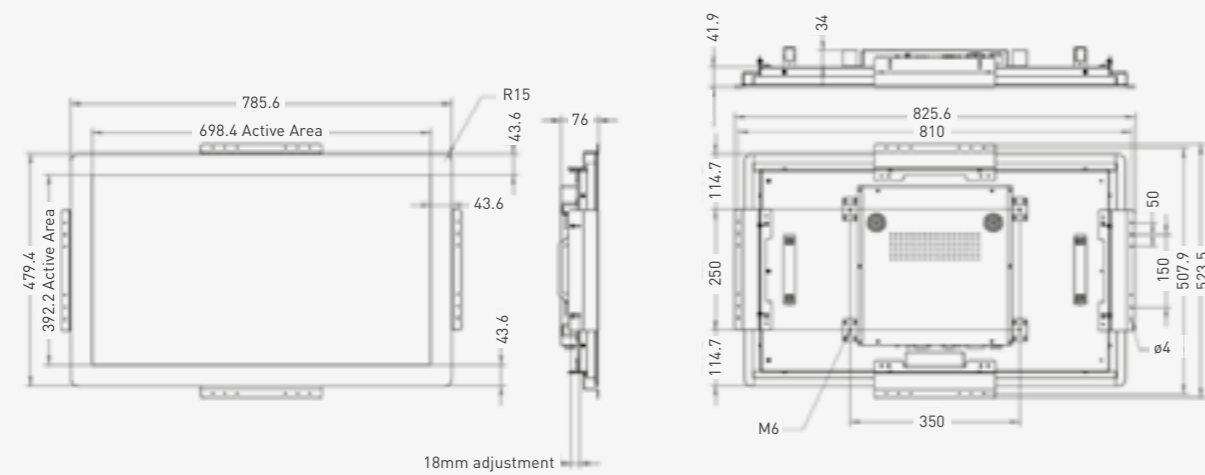
NT27A-30A 27"



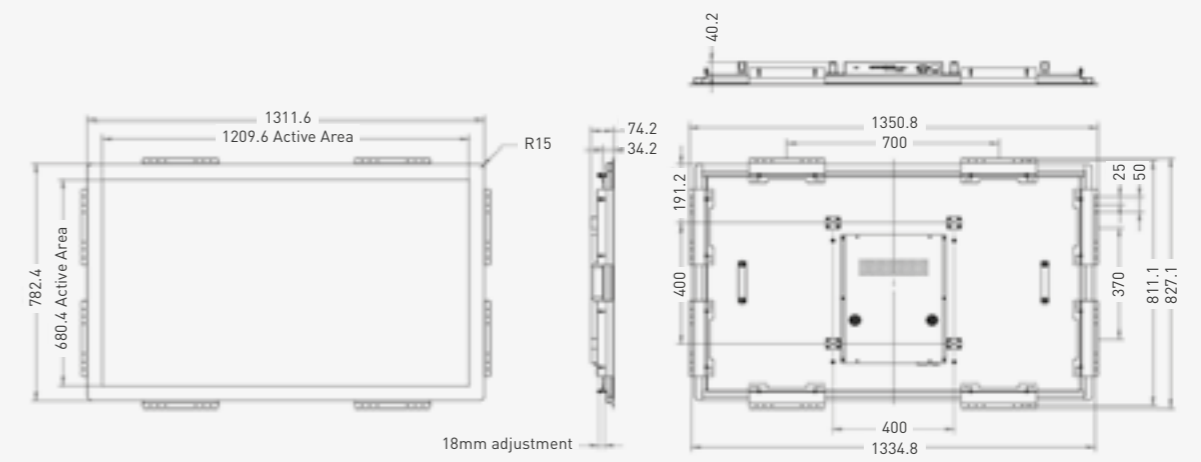
NT49A-40A 49"



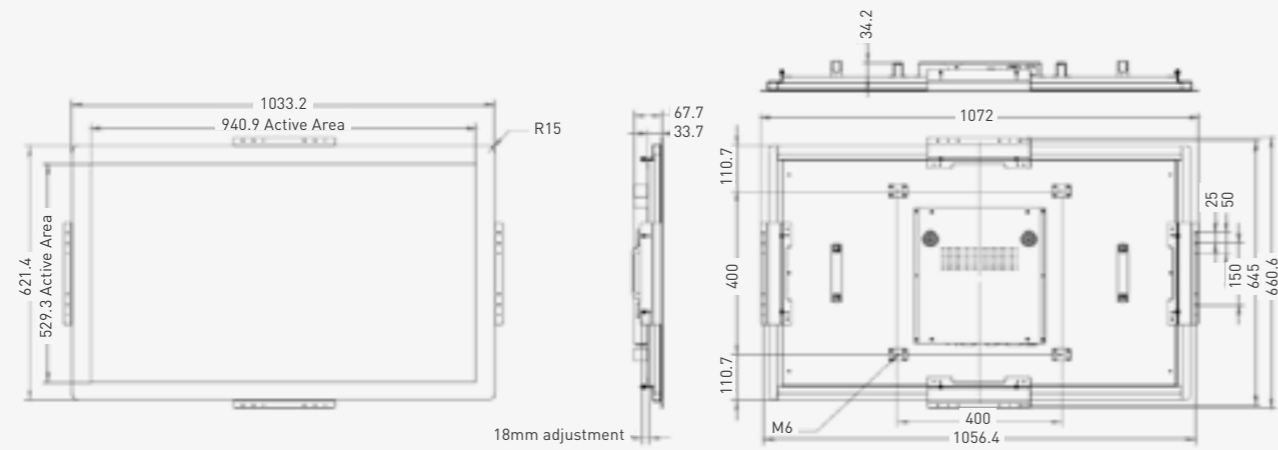
NT32A-40A 32"



NT55A-40A 55"

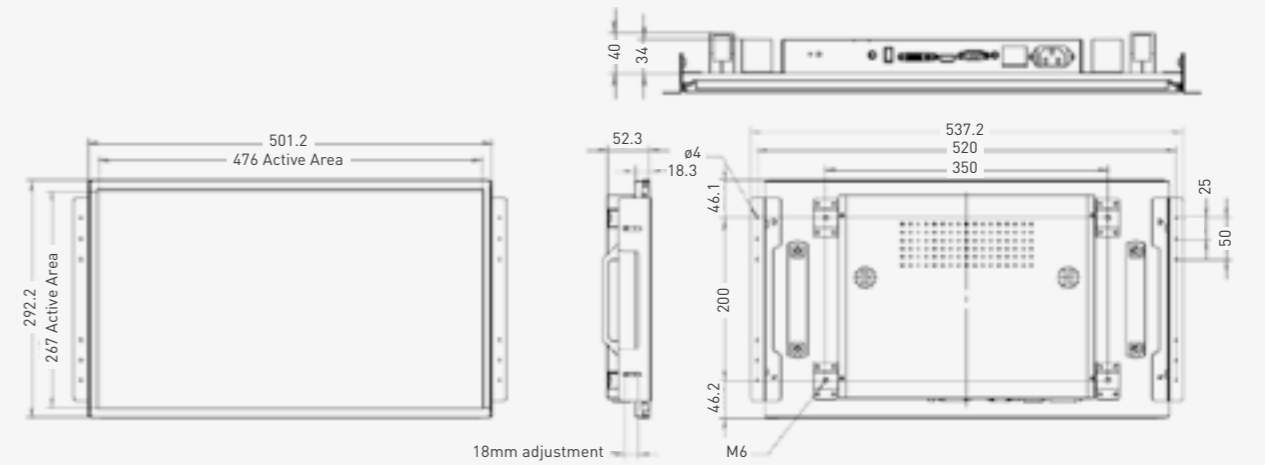


NT43A-40A 43"

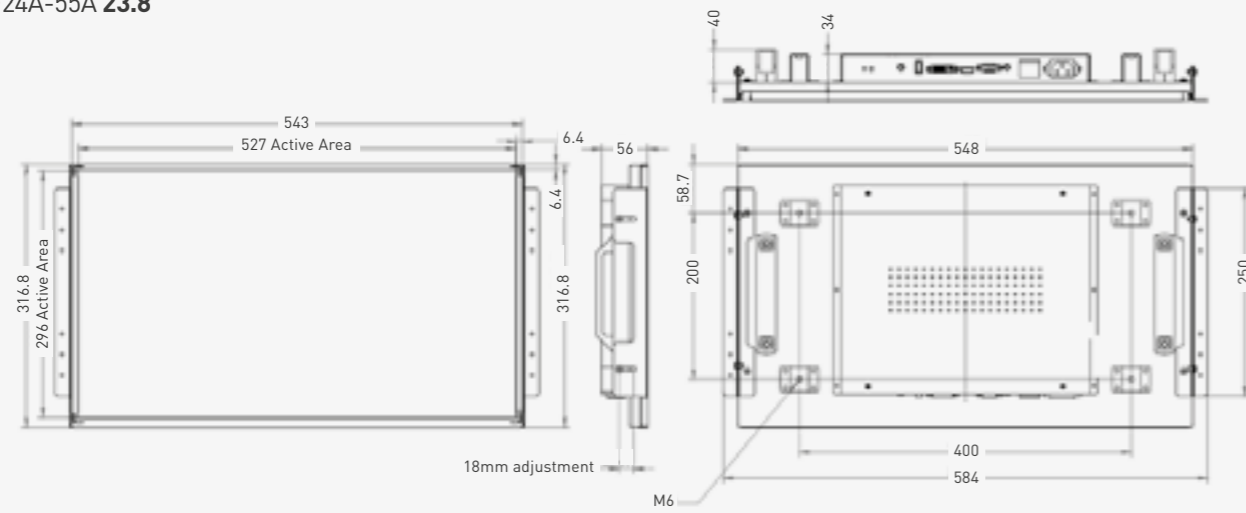


Open Frame Digital Signage

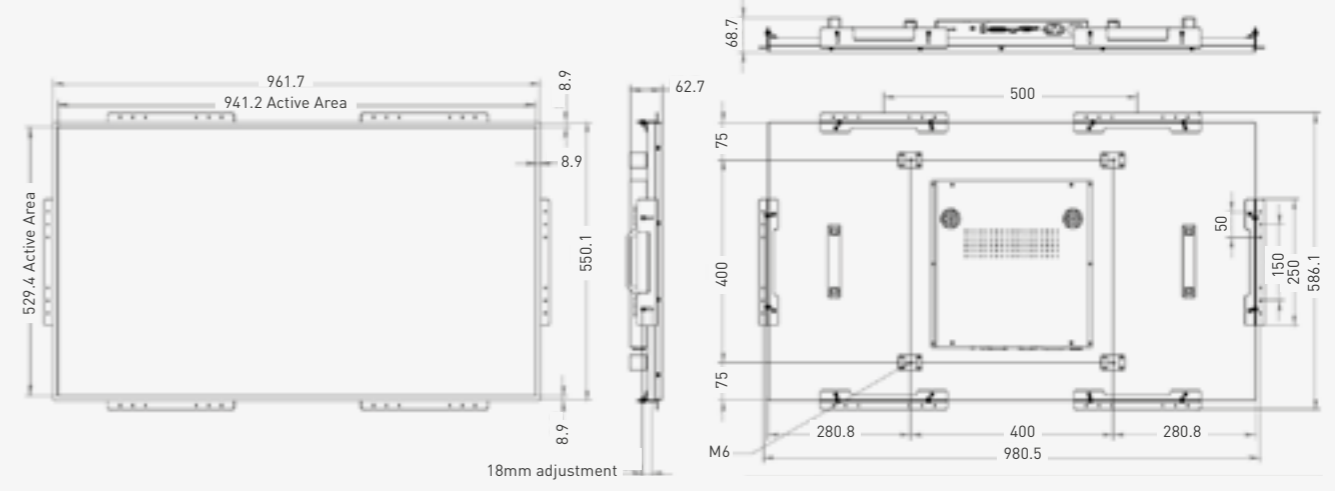
NF22A-50A 21.5"



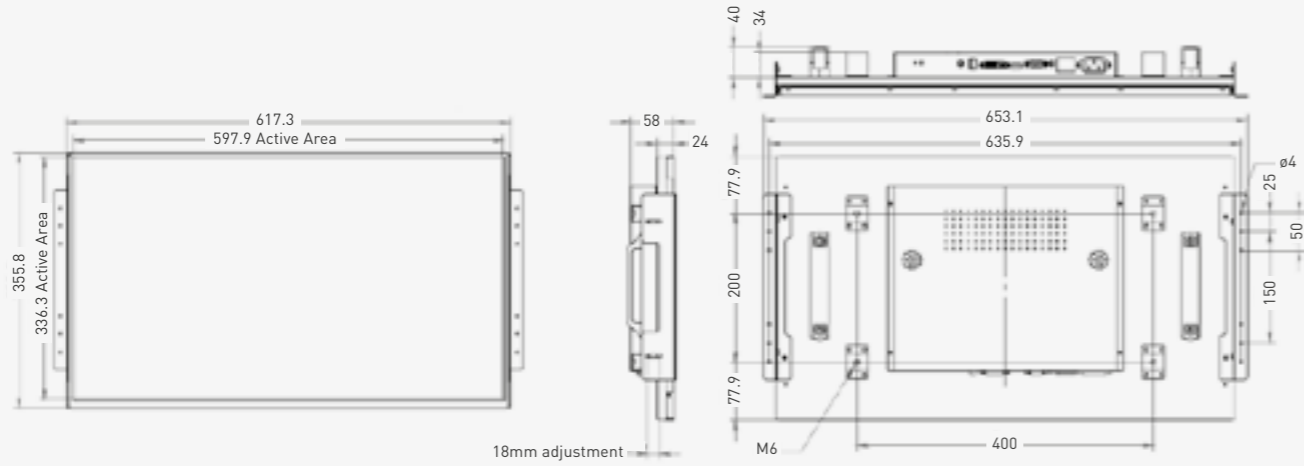
NF24A-55A 23.8"



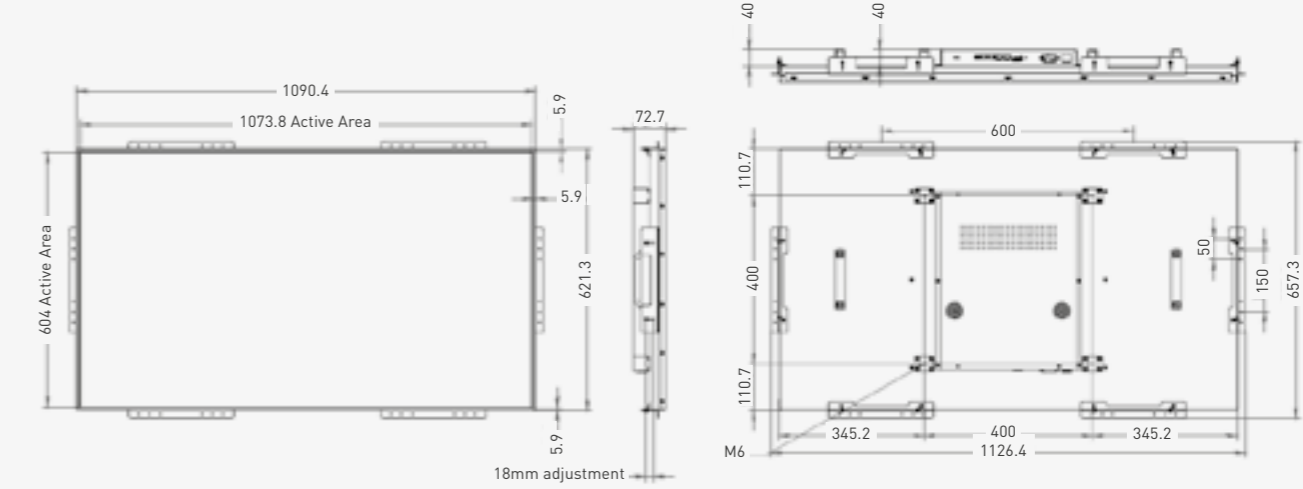
NF43A-40A 43"



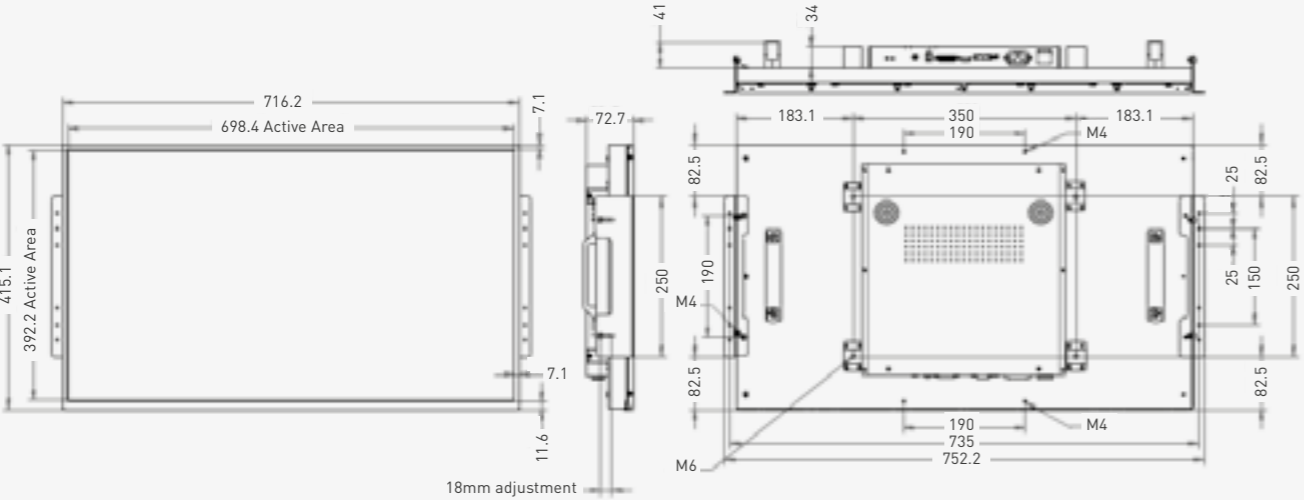
NF27A-30A 27"



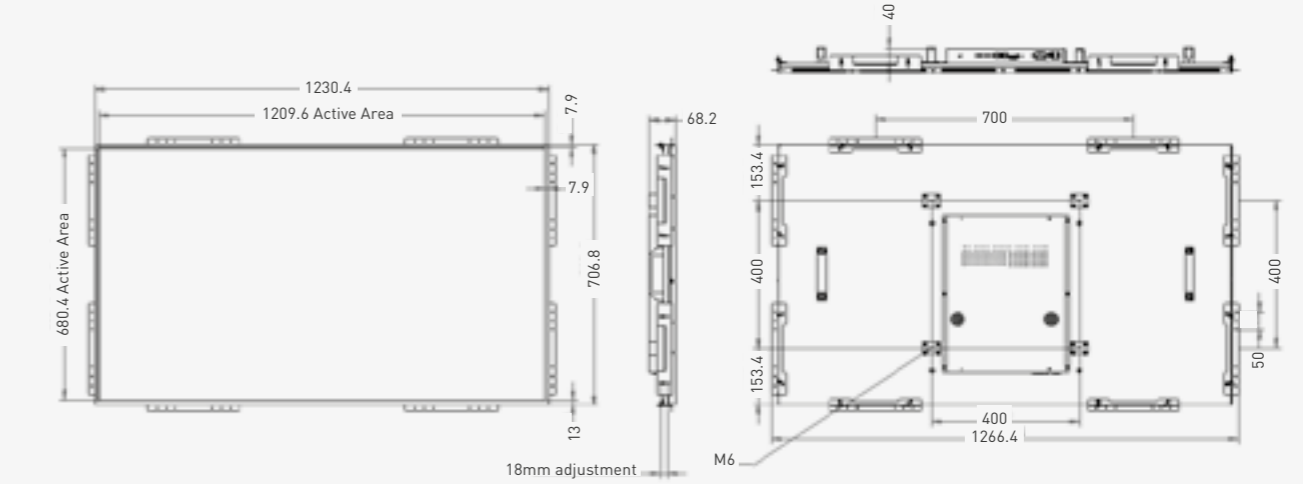
NF49A-40A 49"



NF32A-40A 32"



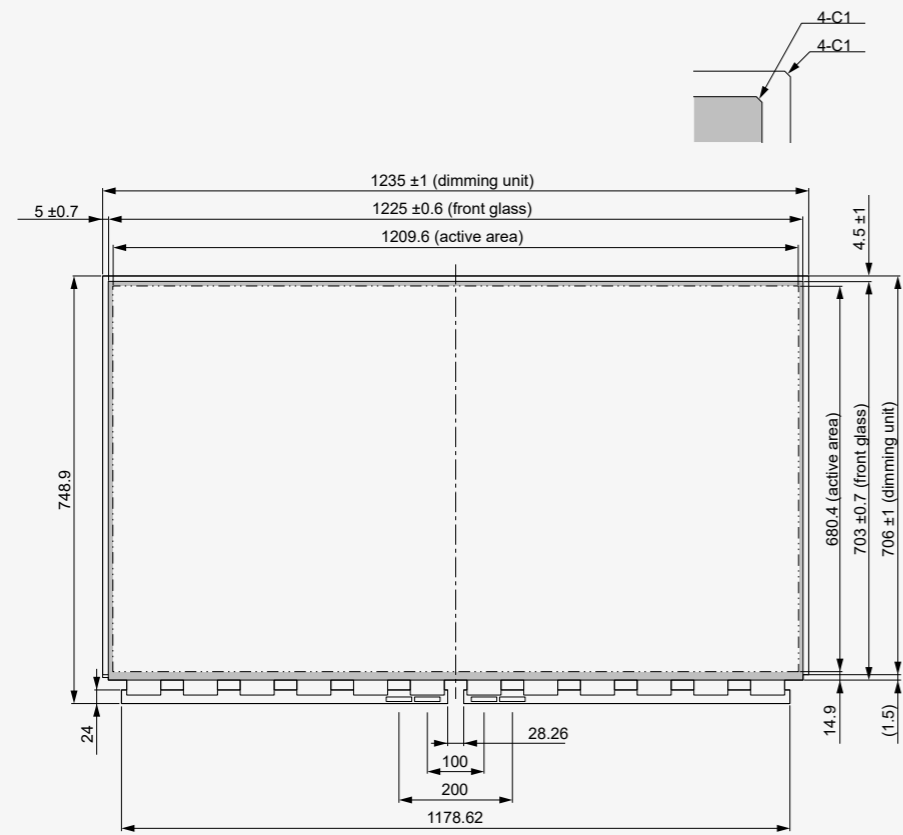
NF55A-40A 55"



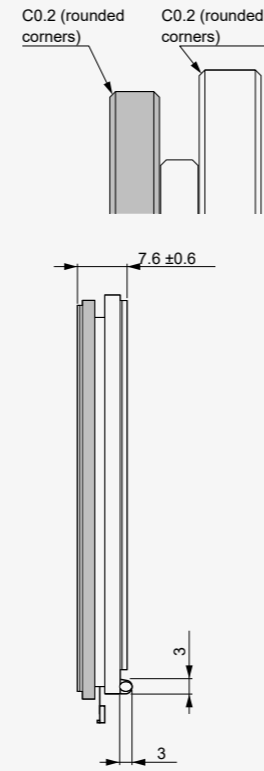
Transparent OLED

TF-55ZTK110 (With Dimming Unit)

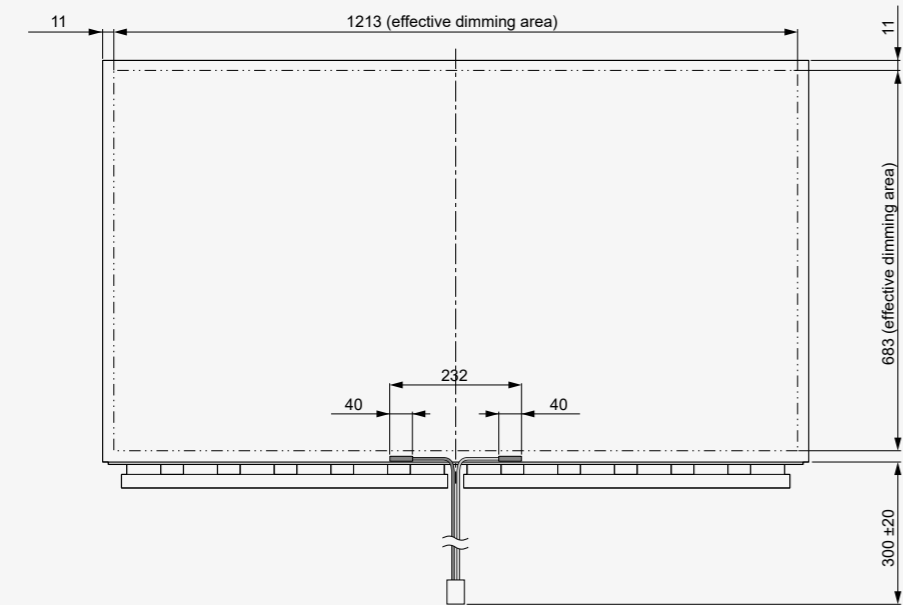
■ Front



■ Side

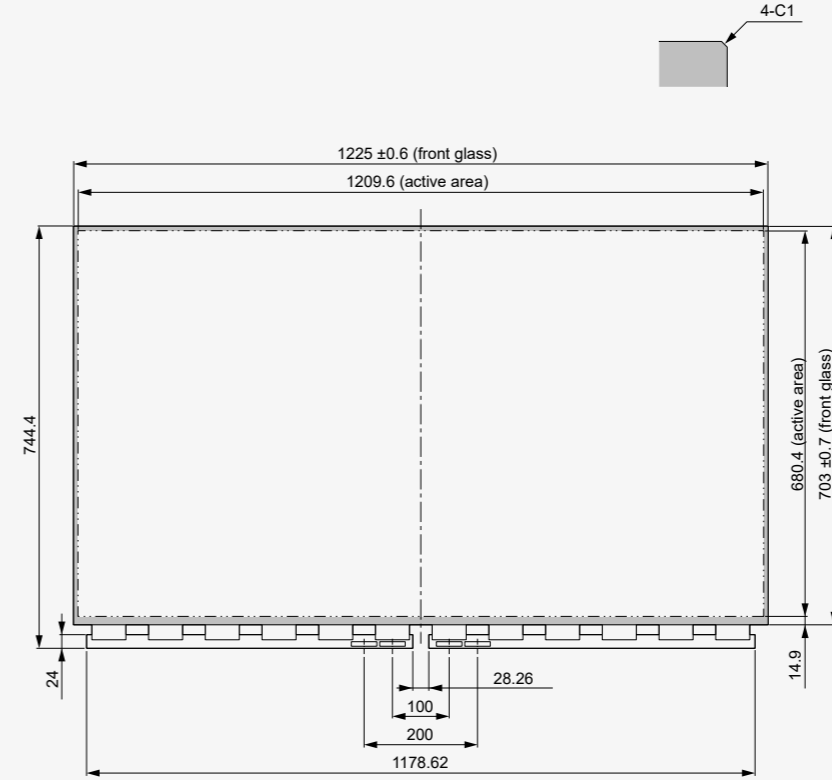


■ Back

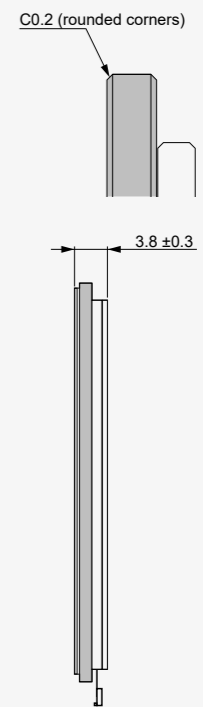


TF-55ZTK100 (Without Dimming Unit)

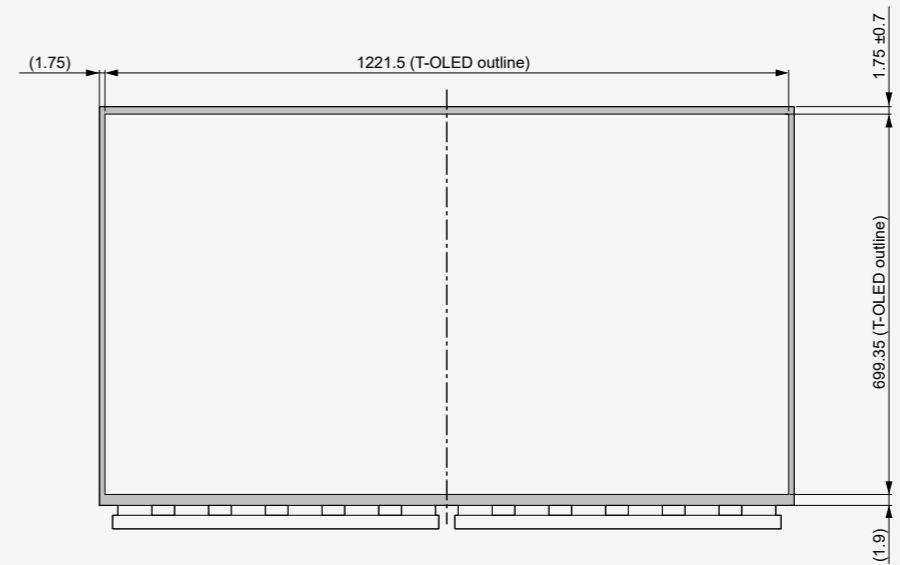
■ Front



■ Side

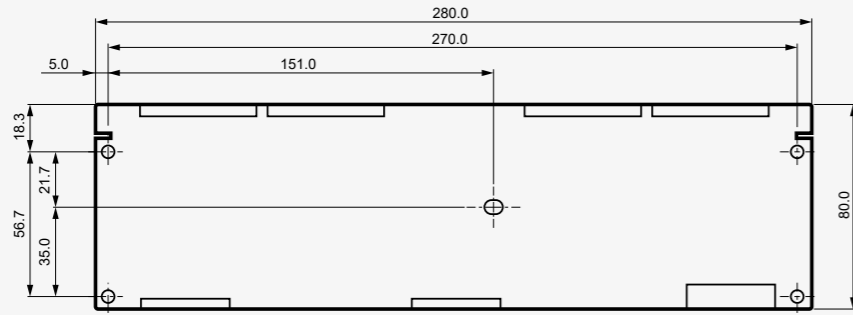


■ Back

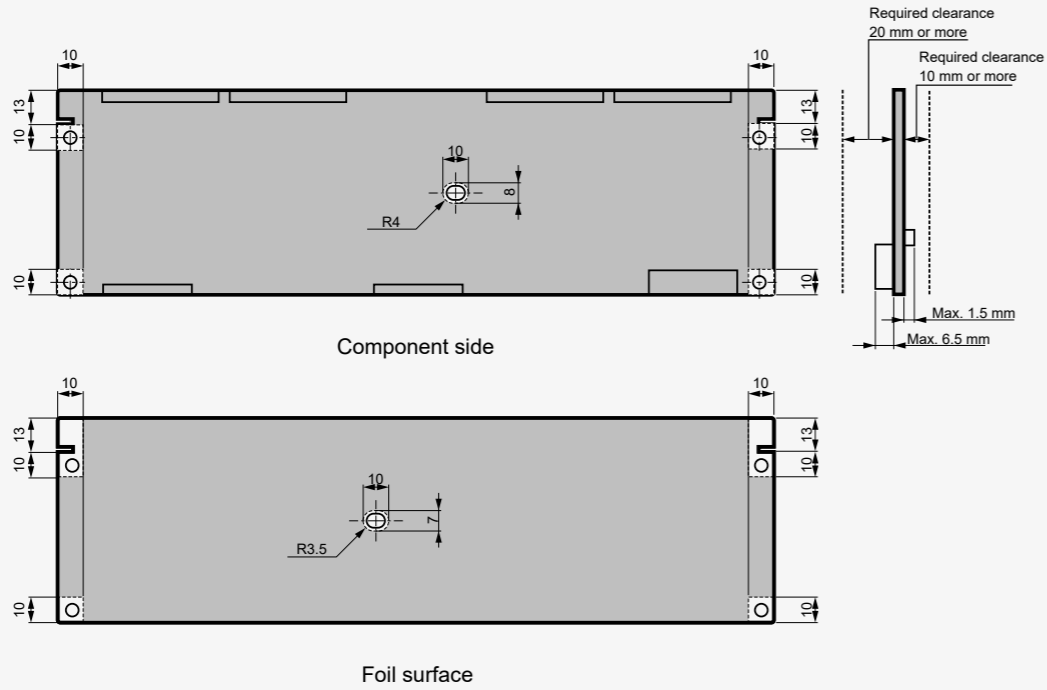


Transparent OLED Accessories

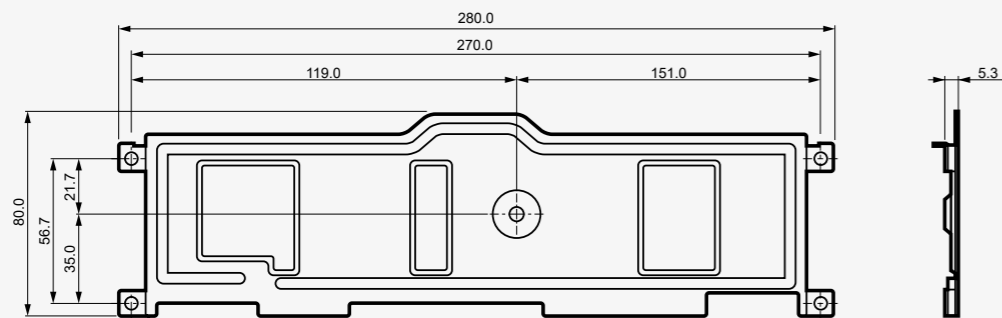
T-Con board



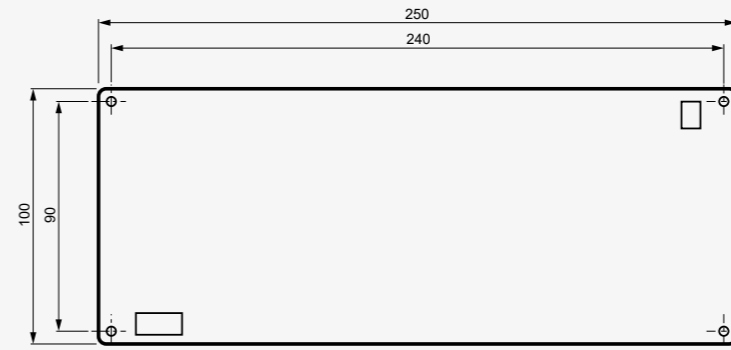
Mounting surface dimensional constraints



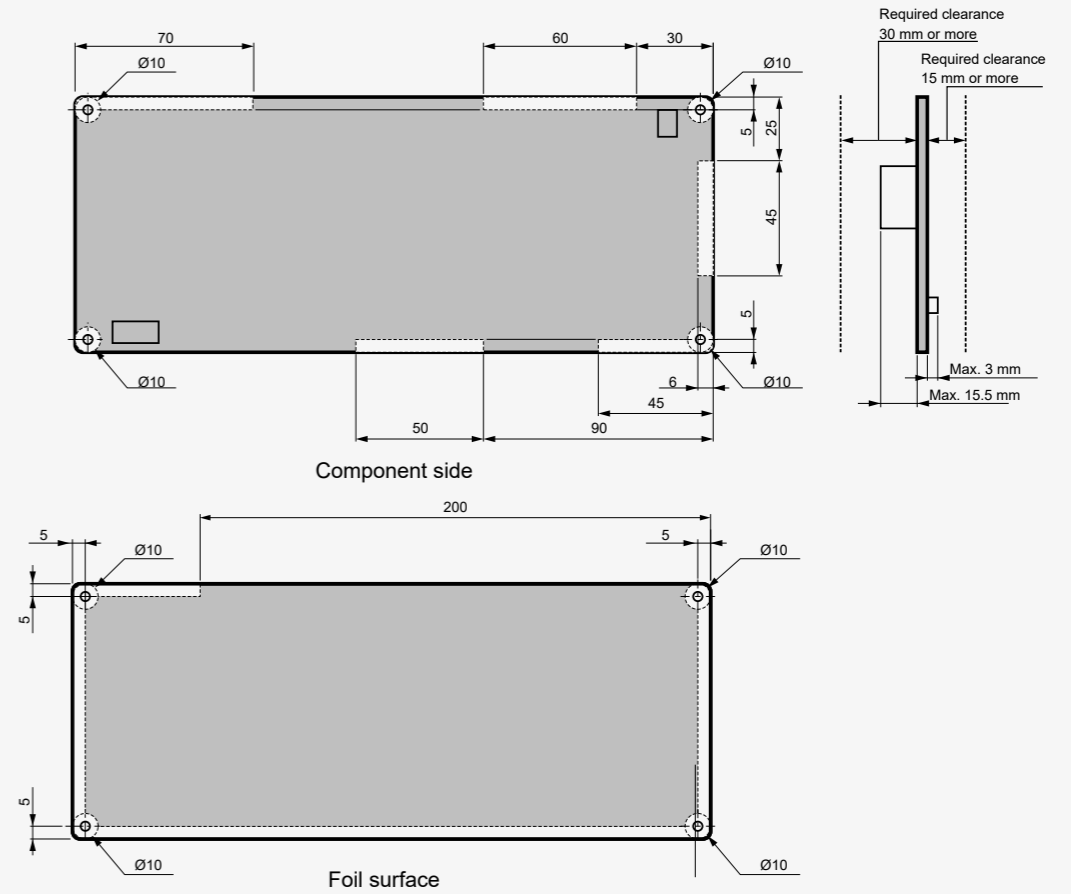
T-Con cover



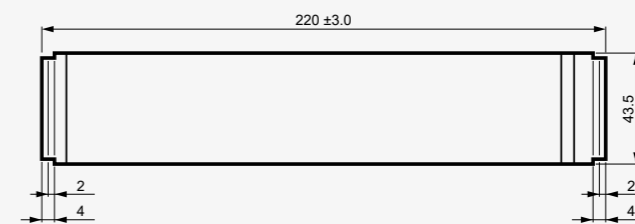
D-Con board



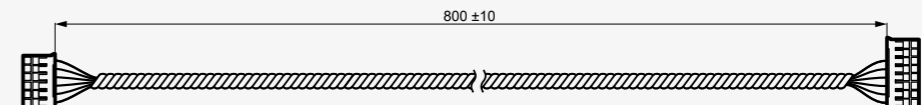
Mounting surface dimensional constraints



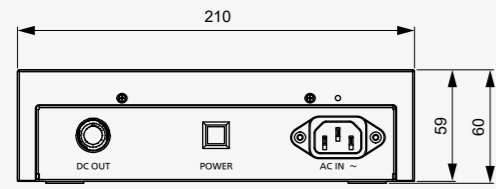
FFC Cable



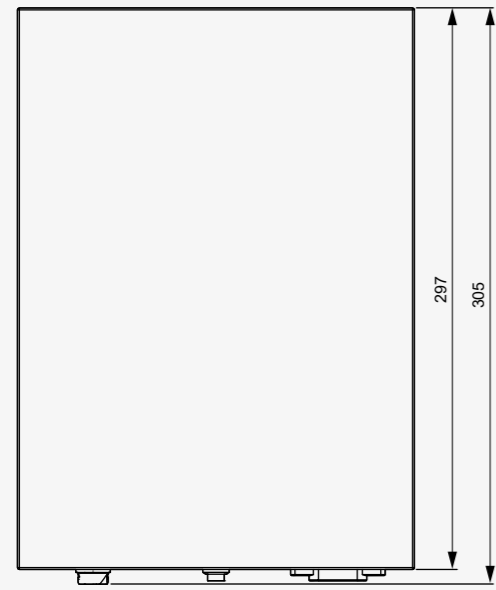
D-Con board ↔ signal board cable



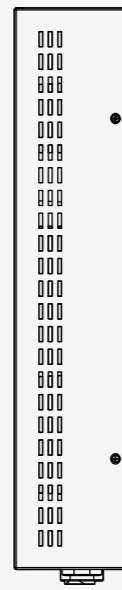
Power Supply Unit



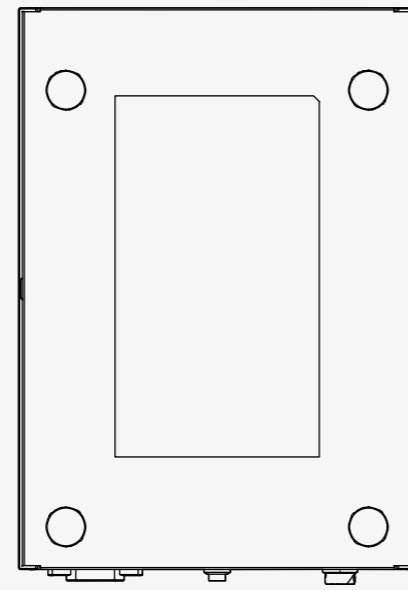
Front



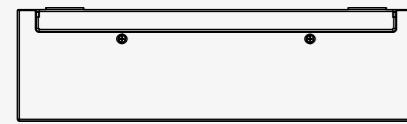
Top



Side

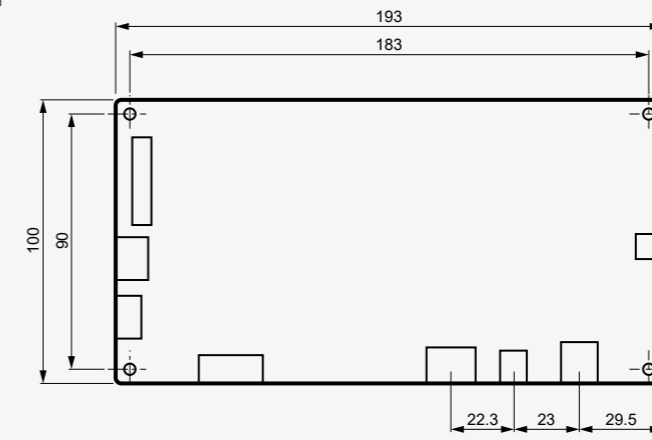


Bottom

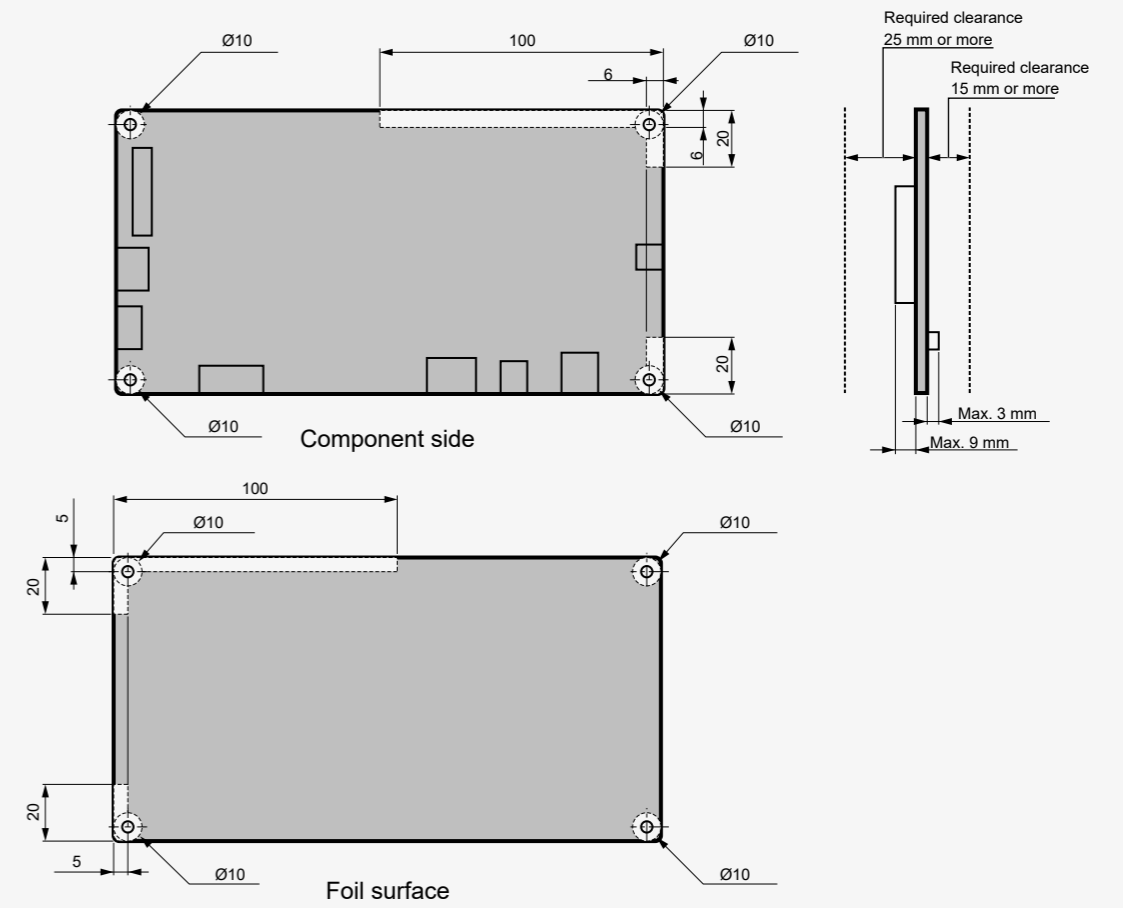


Back

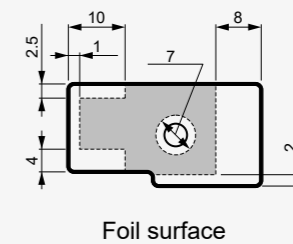
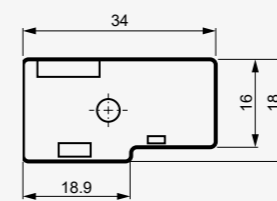
Signal board



Mounting surface dimensional constraints

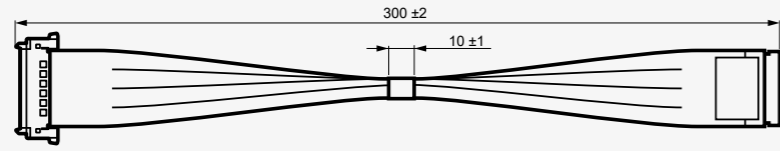


IR/LED board

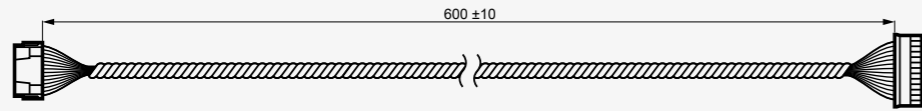


Mounting surface dimensional constraints

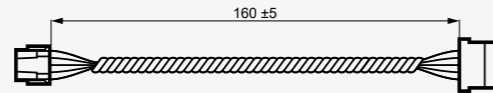
FFC cable



T-Con board \leftrightarrow signal board cable



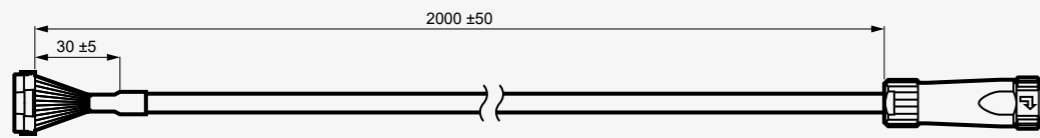
IR/LED board \leftrightarrow signal board cable



Main leads



DC cable



Panasonic