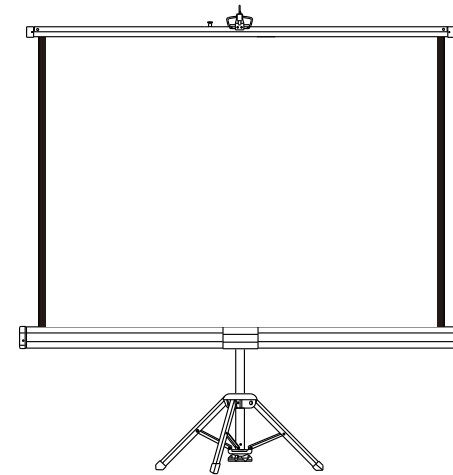


## Instruction Manual for Portable Series Security Classic Tripod Screen

---



Model: PT-LAxx

Grandview Crystal Screen Canada Ltd.  
#11- 3751 North Fraser Way,  
Marine Way Business Centre,  
Burnaby, BC, Canada V5J 5G4  
Tel: 1-604-412-9777 Fax: 1-604-412-9796  
Website: www.grandviewscreen.ca

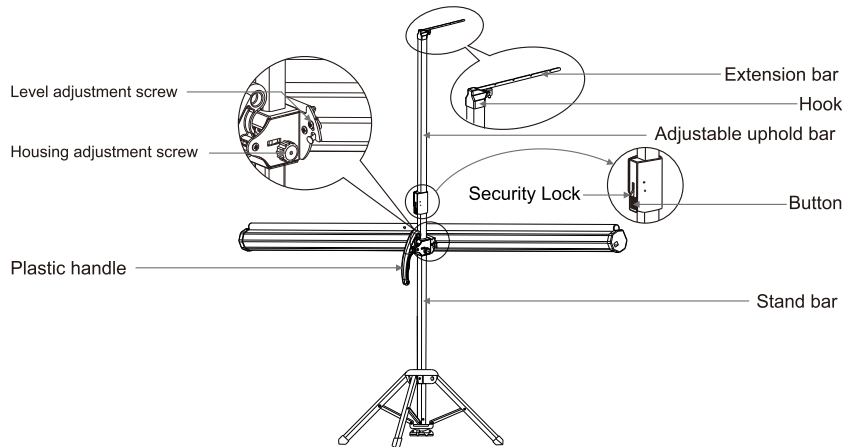
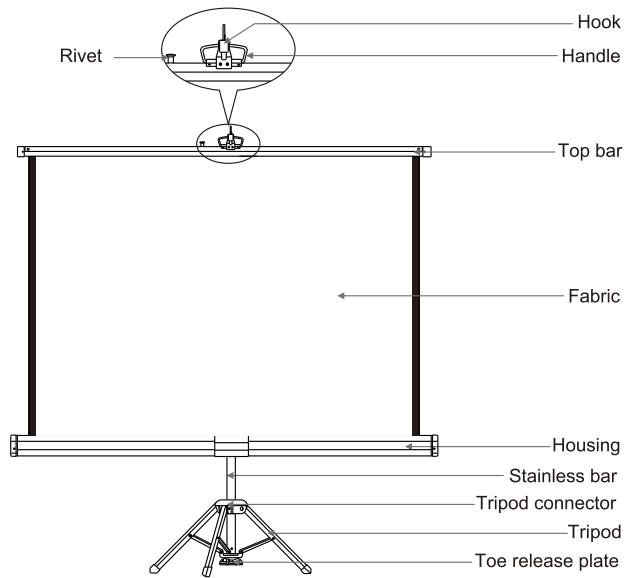
Guangzhou Grandview Crystal Screen Co., Ltd.  
No.43 South International Trade Avenue, Hualong Town, Panyu,  
Guangzhou, Guangdong, China  
Tel: +8620-8489-9499 Fax: +8620-8480-3343  
Website: www.grandviewscreen.com



Thank you for purchasing a Grandview projection screen.

Before use, please read instructions carefully. After installation, store instructions for future reference.

## Description



## Warnings

1. Please make sure the Tripod stand is fully extending during using, this can assure stability and safety.
2. Before adjusting the height of the uphold bar, make sure that the security lock is turned to Unlocked position. (See step 2 below)
3. There is a nail at the middle of screen Top bar, please make sure it to be locked onto the slot nearby the plastic handle. Otherwise it would cause damage during carrying.
4. During retracting, please make sure the Plastic hook lock into a hole on the housing.
5. After folding the screen, make sure that the security lock is turned to Locked position. Otherwise, accident or damage of the screen would happen.
6. When folding the screen, make sure that the tripod is fully fit in the toe release plate.



Ignoring the safety warnings may lead to injuries and/or damaging the product.



Roll up the screen after every use. Leaving it hanging for a long period of time may cause the fabric to loosen.



Refrain from hanging anything on the screen as it may cause the screen to fall.

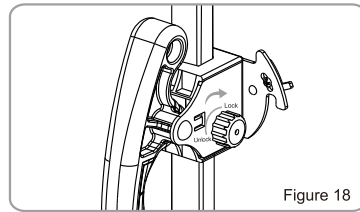


Please contact your local dealer for repairs or maintenance. Please contact our company if you have any further questions. Avoid taking apart the fixtures yourself. Loose parts may cause the screen to fall.

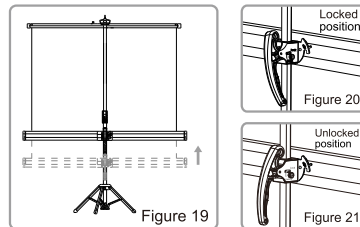
Do not take apart and replace with unknown parts. If there are any problems, please contact your local dealer. Product specifications are subject to change.

## Screen retraction

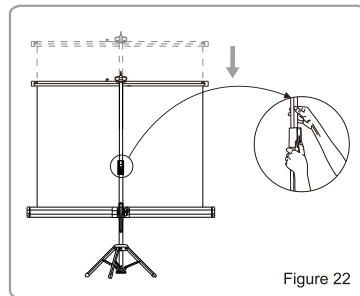
1. Turn the Housing position lock to 'LOCKY' ( Figure 16 )



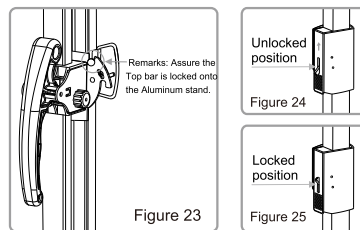
2. After release the Plastic handle to Unlocked condition, please hold the handle to raise the housing until you hear a sound 'YDAY', which means housing is locked, then please also lockup the Plastic handle to Locked condition. ( Figure 17 - 19 )



3. Hold the Adjustable uphold bar with your right hand, then press the Magic button with your left hand to lower down the Adjusting uphold bar to down most point. ( Figure 20 )

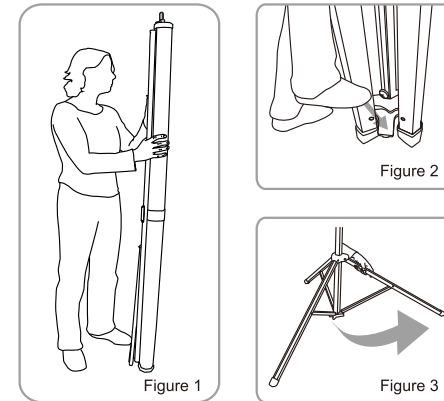


4. Take off the Stainless bar ring from the Plastic hook and retract the screen slowly into the housing. After the housing is rotated to parallel with Aluminum bar, then adjust the Adjustable uphold bar to make the Plastic hook on its top to lock onto a hole on the housing. At this time you can fully retract the Metal tripod stand. ( Remarks: Please assure the Top bar is locked onto the Aluminum stand. Figure 21 )

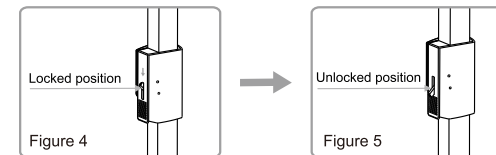


## Screen displaying

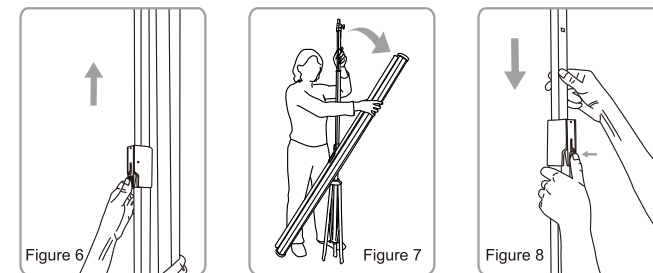
1. Grasp the screen handle with one hand and step the toe release plate to fully stretch the tripod on the ground. ( Figure 1 - 3 )



2. Turn the lock downwards to "Locked" position. (Figure 4 - 5)



3. Press the button to adjust the height of the screen. ( Figure 6 )
4. Rotate the housing counterclockwise to horizontal level. ( Figure 7 )
5. Press the Magic button to low down adjustable uphold bar to the lowest point. ( Figure 8 )



6. Open the screen:

Method 1: Pull up and hang the bar ring onto the Plastic hook. ( Figure 7 - 8 )

Method 2: For different gradient viewing angle , we can use Keystone system. Pull out the extension bar hidden in the uphold bar and turn it to a horizontal level. Hand the metal hook ring over the extension bar which has four optional slots for fixing the screen. ( Figure 9 -10 )

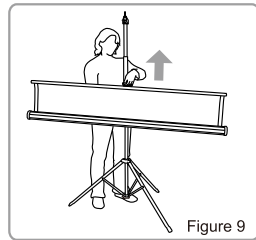


Figure 9

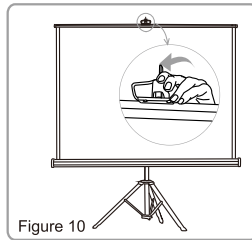


Figure 10

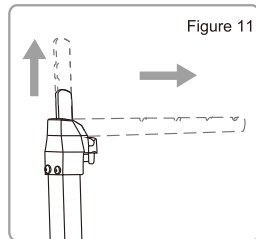


Figure 11

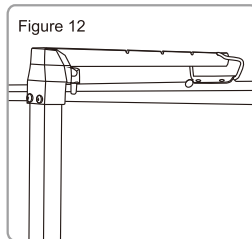


Figure 12

7. Use the plastic handle to adjust the height of the housing according to the viewers' angle. ( Figure 13 )

Tip: Unlock the security lock and the plastic handle. Lower the housing when descending the handle until to a desired point. Lock the plastic handle. If the housing is descending to the lowest point, you can lower one division of the adjustable uphold bar before locking the handle. ( Figure 14 - 15 )

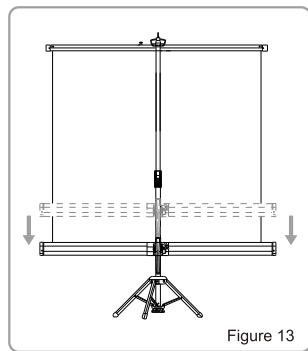


Figure 13

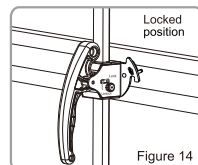


Figure 14

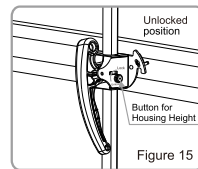


Figure 15

8. Hold the adjustable uphold bar while pressing the button. Ascend the adjustable height bar to achieve the perfect height of the screen. ( Figure 16 )

The screen viewing area can display in 1:1, 4:3 or 16:9 format according to different height of Adjustable uphold bar and height of housing.

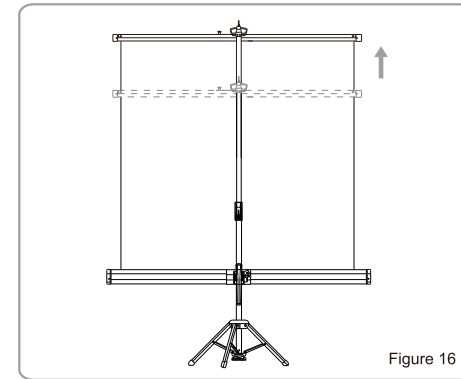
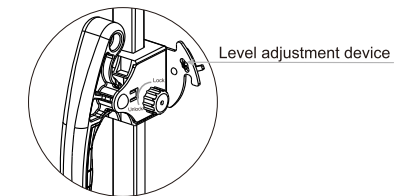
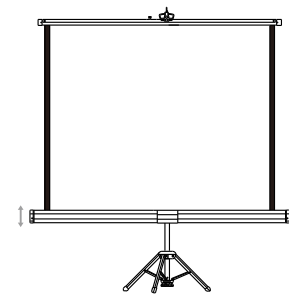


Figure 16

### Special Level Adjustment Device

If the housing is found to a little inclined when fully displayed , you can adjust it horizontally according to the Level adjustment device. ( Figure 17 )



Level adjustment device

Figure 17